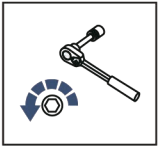
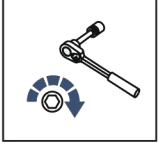


RIVAL UNIVERSAL SNOW BLADE

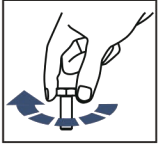
2444.0165.1.B - black
2444.0165.1.S - gray



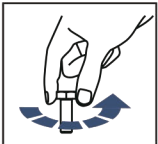
EN Regular fasteners
DE Werksseitige Schrauben verwenden



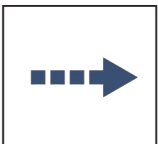
EN Regular fasteners
DE Werksseitige Schrauben verwenden



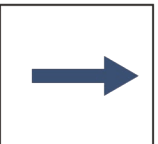
EN Screw in by a few turns
DE Einige Umdrehungen einschrauben



EN Loosen bolts
DE Bolzen lockern



EN Movement Arrow
DE Bewegungsrichtung

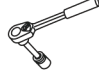
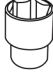



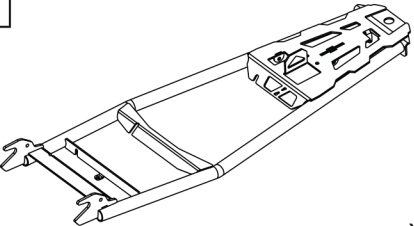
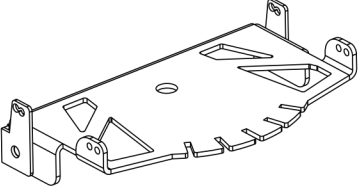
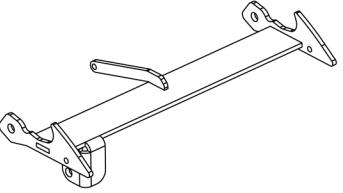
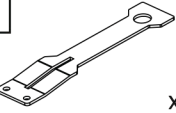

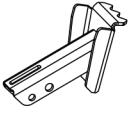
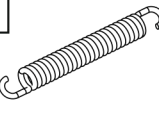
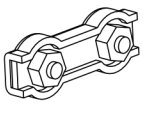




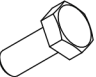
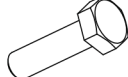









EN Location / Position Arrow
DE Anordnung / Position

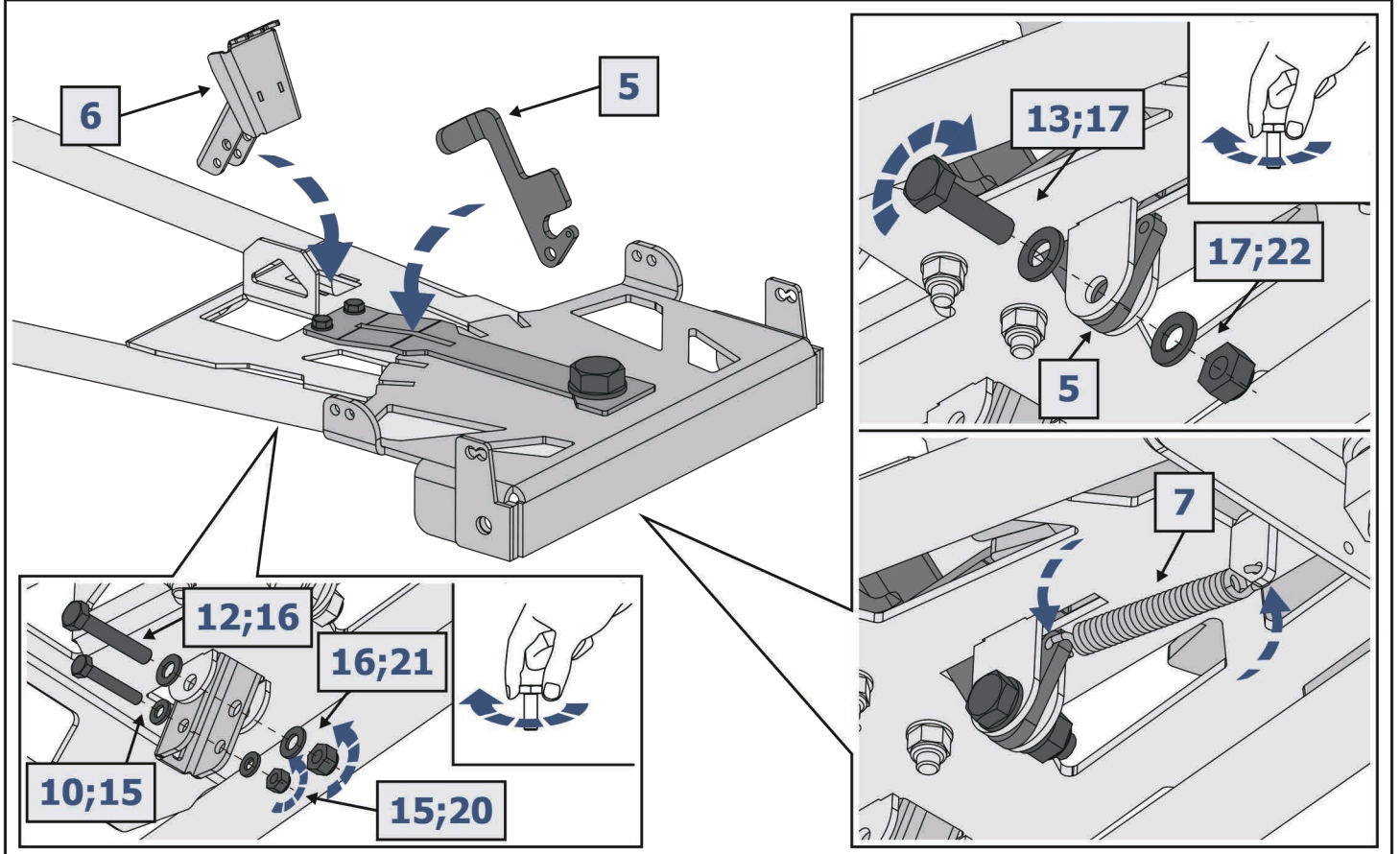
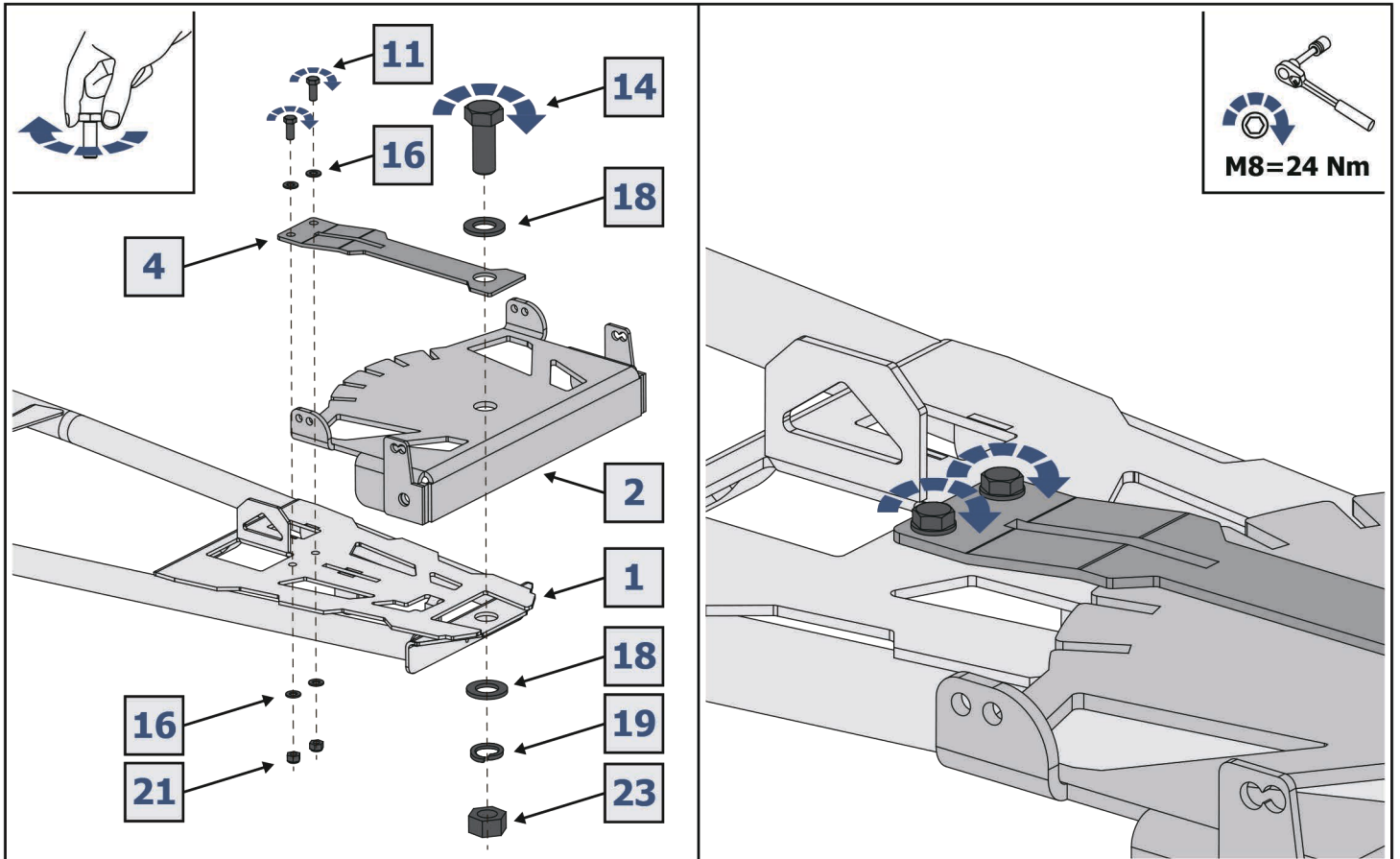


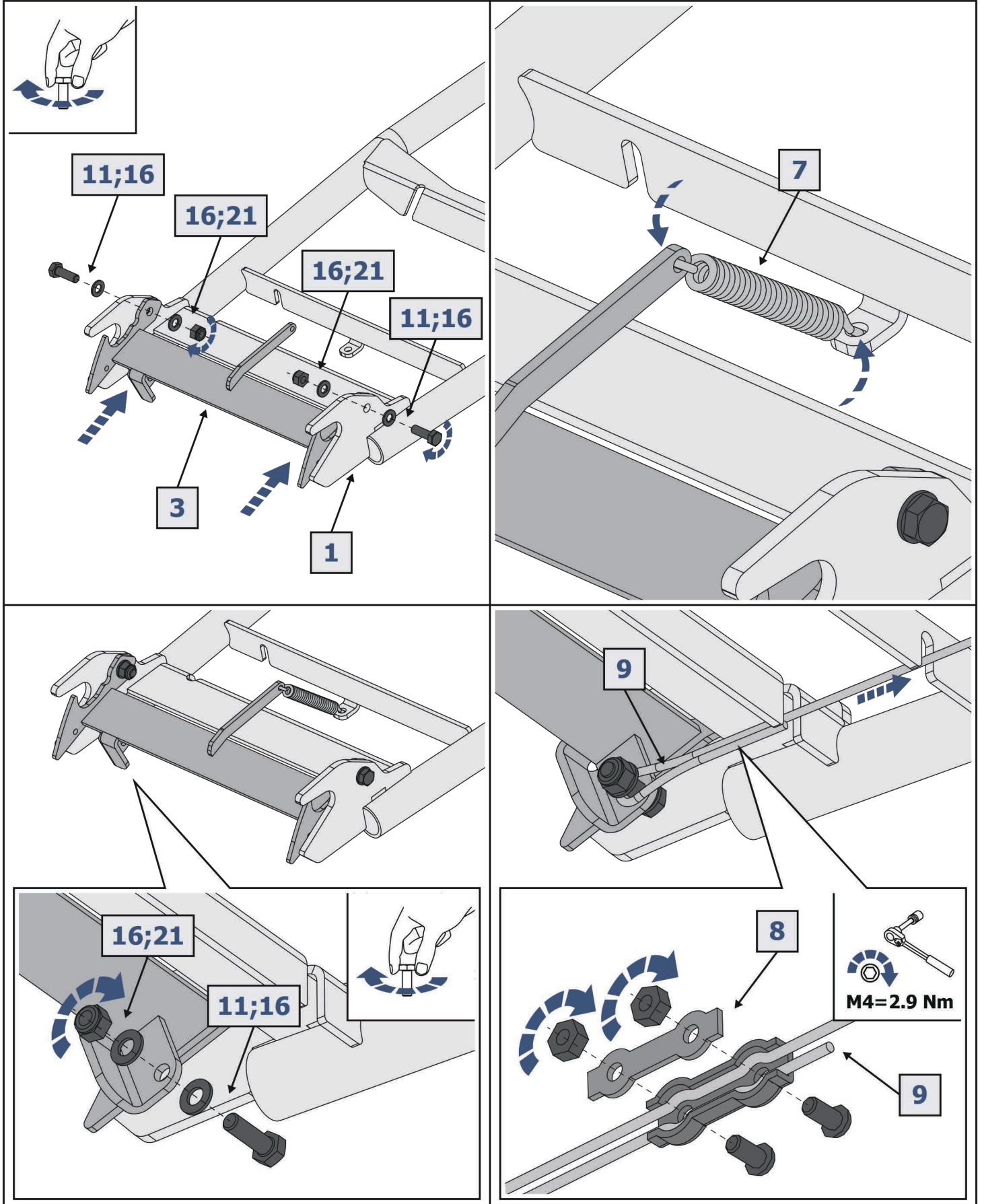
EN Screw Arrow
DE Drehrichtung

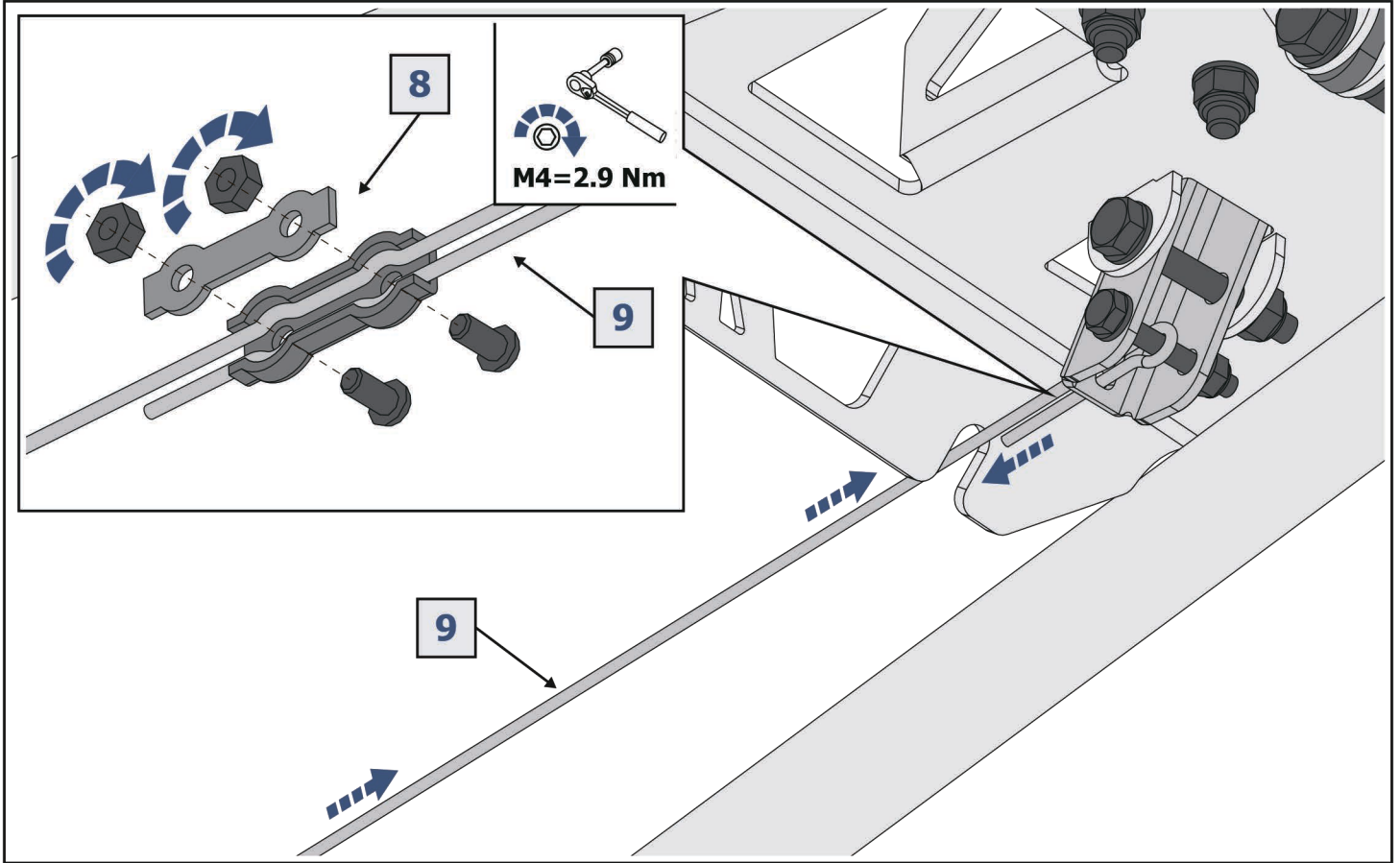
Frame
2444.0096.01

 <p>EN Ratchet DE Ratsche</p>	 <p>S - 7; S - 17; S - 10; S - 36 S - 13;</p>	 <p>EN Slotted Screwdriver DE Schlitzschraubendreher</p>
--------------------------------------------------------------------------------------------------------------------	----------------------------------------------------------------------------------------------------------------------------------------	-----------------------------------------------------------------------------------------------------------------------------------------------

<p>1</p>  <p>x1</p>		<p>2</p>  <p>x1</p>		<p>3</p>  <p>x1</p>	
<p>4</p>  <p>x1</p>	<p>5</p>  <p>x1</p>	<p>6</p>  <p>x1</p>	<p>7</p>  <p>x2</p>	<p>8</p>  <p>x2</p>	<p>9</p>  <p>x1</p>
<p>10</p>  <p>M6x40 x1</p>	<p>11</p>  <p>M8x25 x5</p>	<p>12</p>  <p>M8x60 x1</p>	<p>13</p>  <p>M10x35 x1</p>	<p>14</p>  <p>M24x60 x1</p>	<p>15</p>  <p>∅6 x2</p>
<p>16</p>  <p>∅8 x12</p>	<p>17</p>  <p>∅10 x2</p>	<p>18</p>  <p>∅24 x2</p>	<p>19</p>  <p>∅24 x1</p>	<p>20</p>  <p>M6 x1</p>	<p>21</p>  <p>M8 x6</p>
<p>22</p>  <p>M10 x1</p>	<p>23</p>  <p>M24 x1</p>				



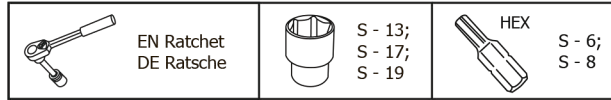


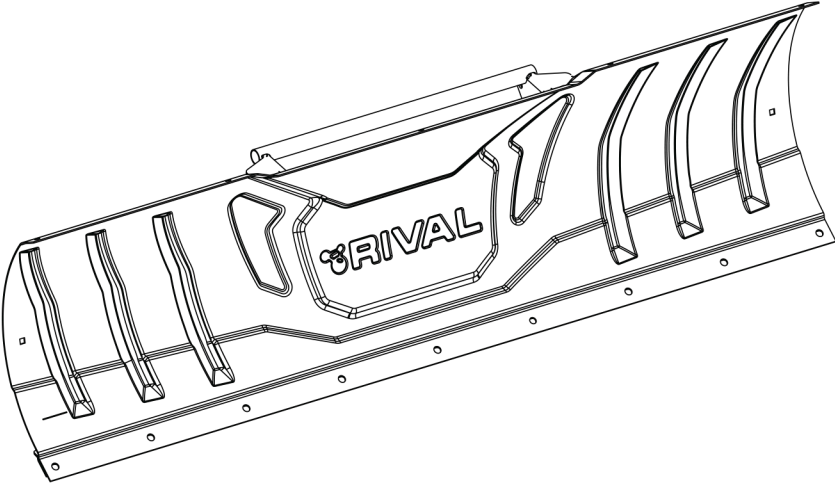
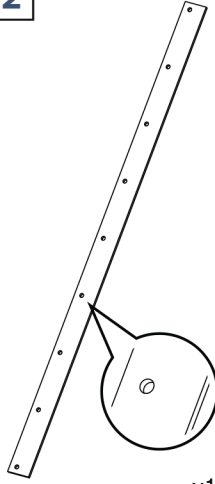
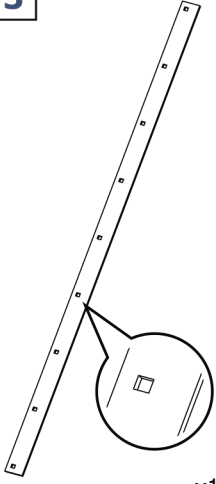
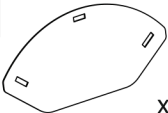
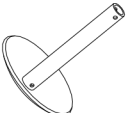
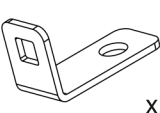
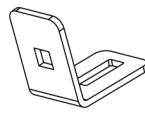
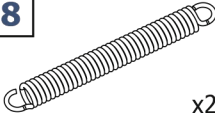





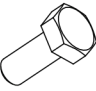


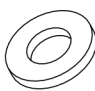



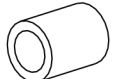




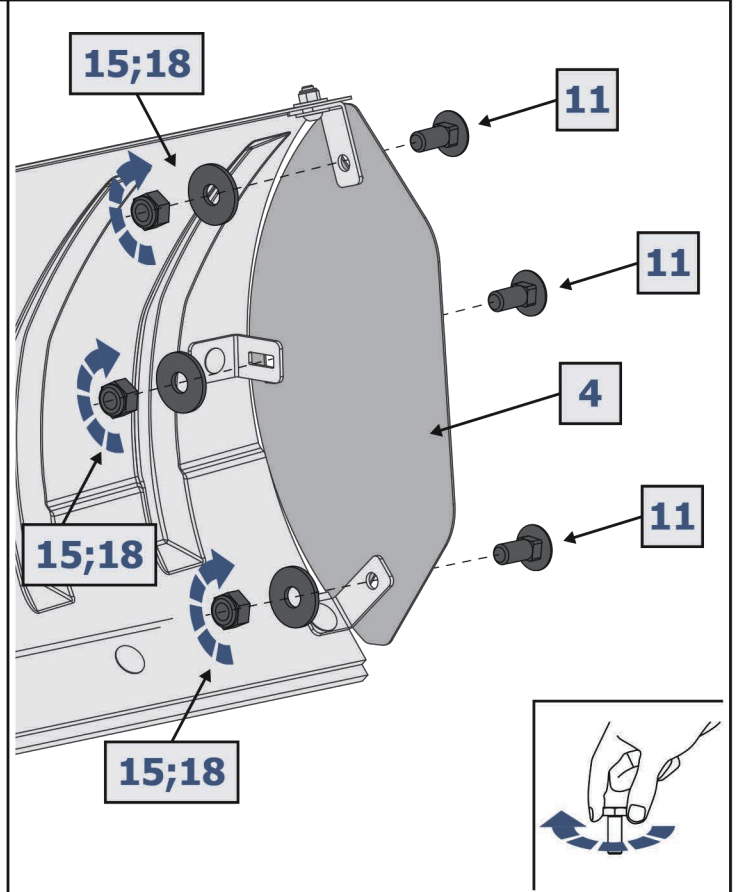
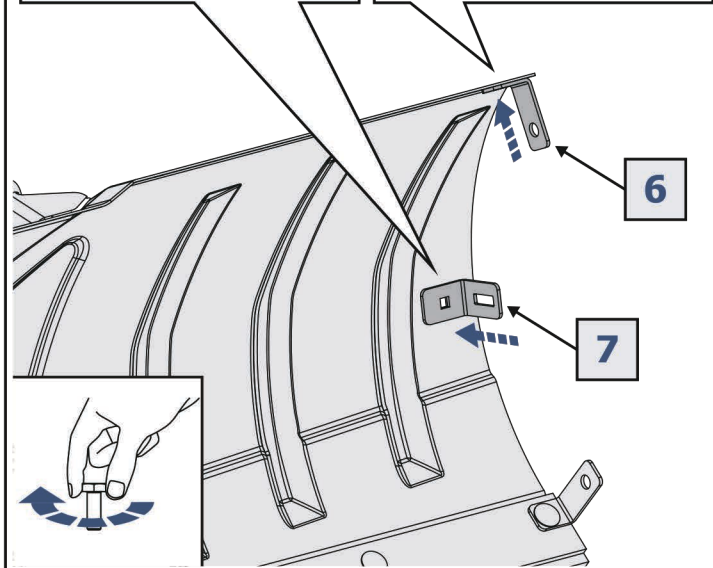
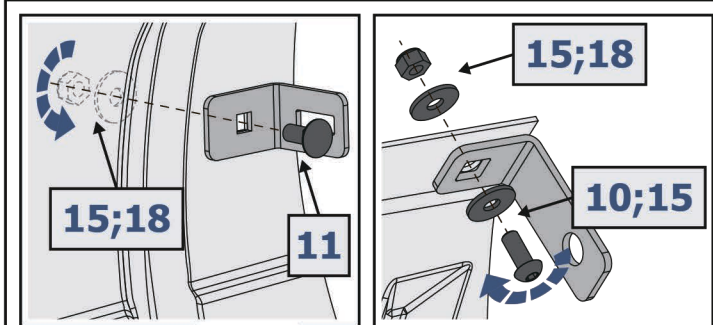
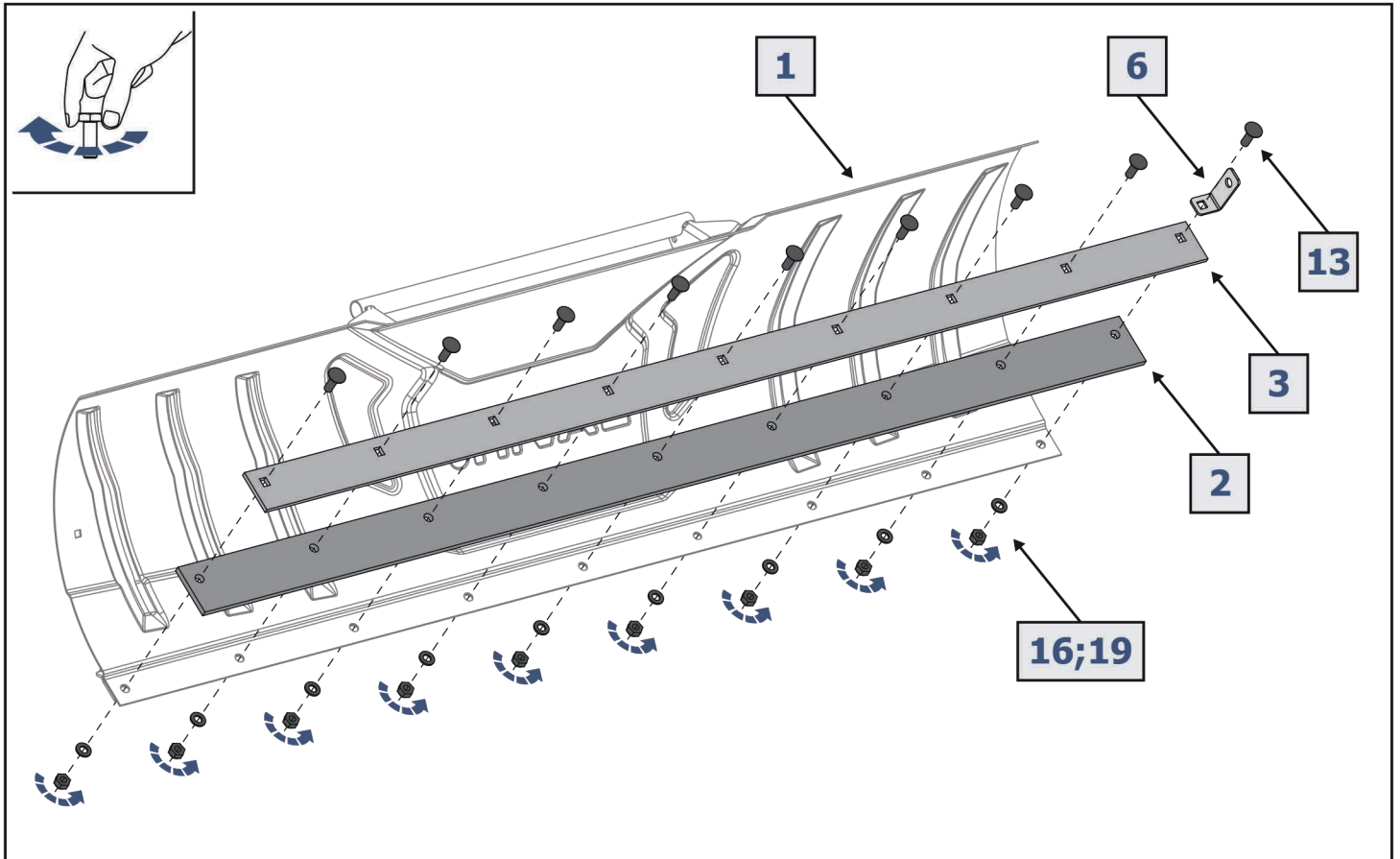
Bucket

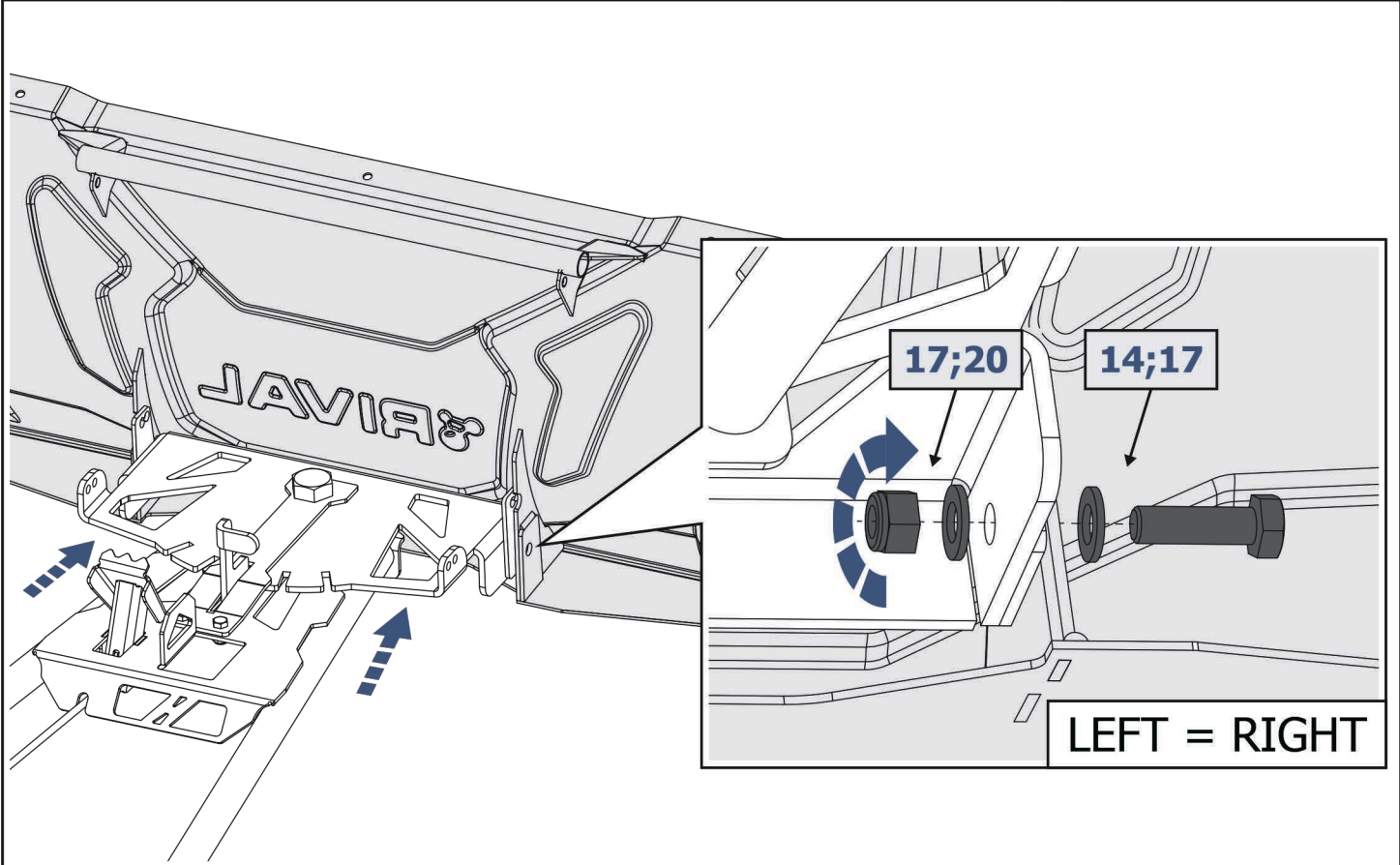
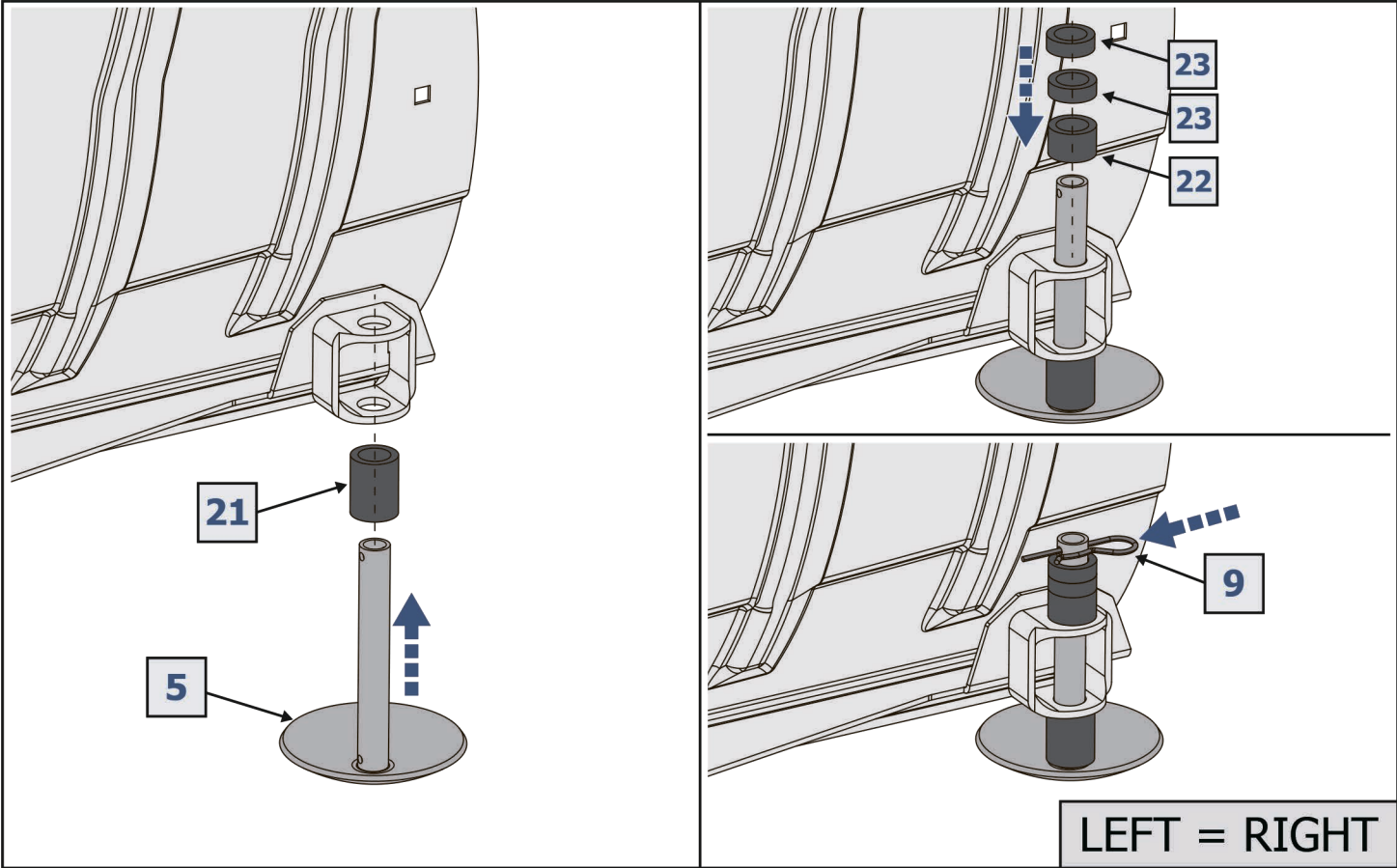
2444.0163.1 - 1500 mm.

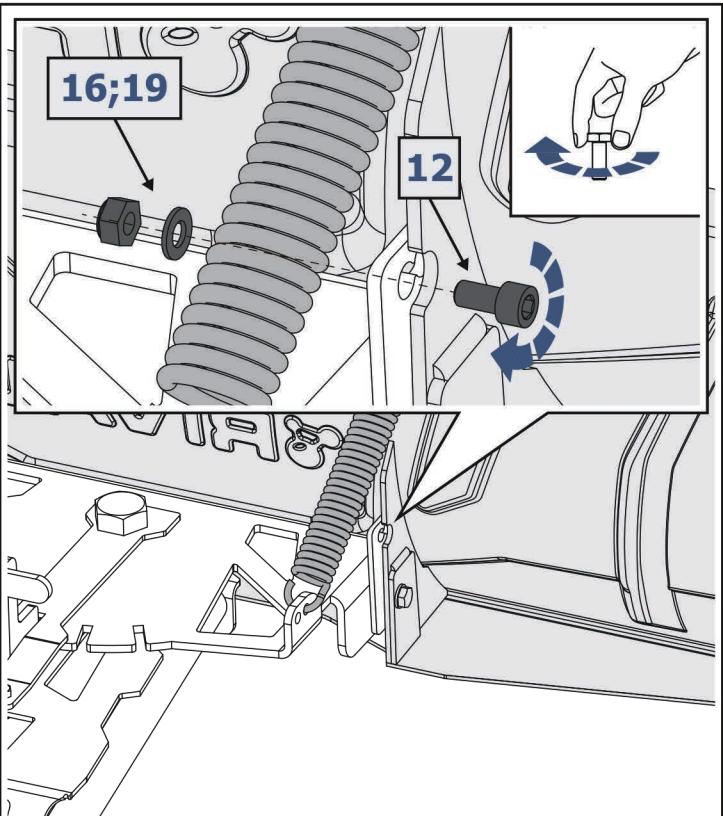
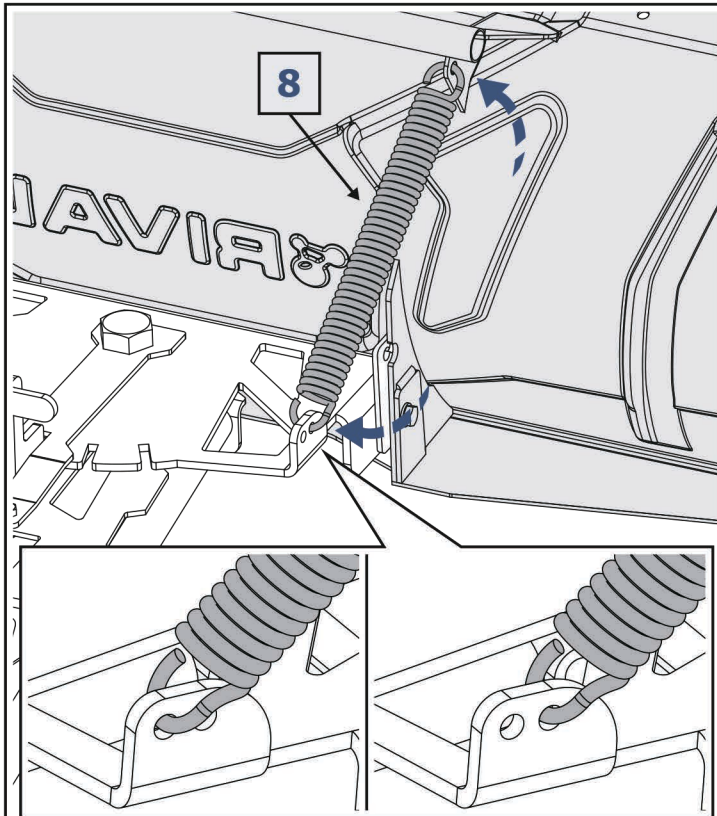
2444.0163.2 - 1370 mm.



<p>1</p> 				<p>2</p>  <p>x1</p>		<p>3</p>  <p>x1</p>					
<p>4</p>  <p>x1</p>		<p>5</p>  <p>x2</p>		<p>6</p>  <p>x2</p>		<p>7</p>  <p>x1</p>		<p>8</p>  <p>x2</p>		<p>9</p>  <p>x2</p>	
<p>10</p>  <p>M8x20 x1</p>		<p>11</p>  <p>M8x20 x4</p>		<p>12</p>  <p>M10x20 x2</p>		<p>13</p>  <p>M10x30 x9</p>		<p>14</p>  <p>M12x40 x2</p>		<p>15</p>  <p>ø8 x6</p>	
<p>16</p>  <p>ø10 x11</p>		<p>17</p>  <p>ø12 x4</p>		<p>18</p>  <p>M8 x5</p>		<p>19</p>  <p>M10 x11</p>		<p>20</p>  <p>M12 x2</p>		<p>21</p>  <p>x2</p>	
<p>22</p>  <p>x2</p>		<p>23</p>  <p>x4</p>									

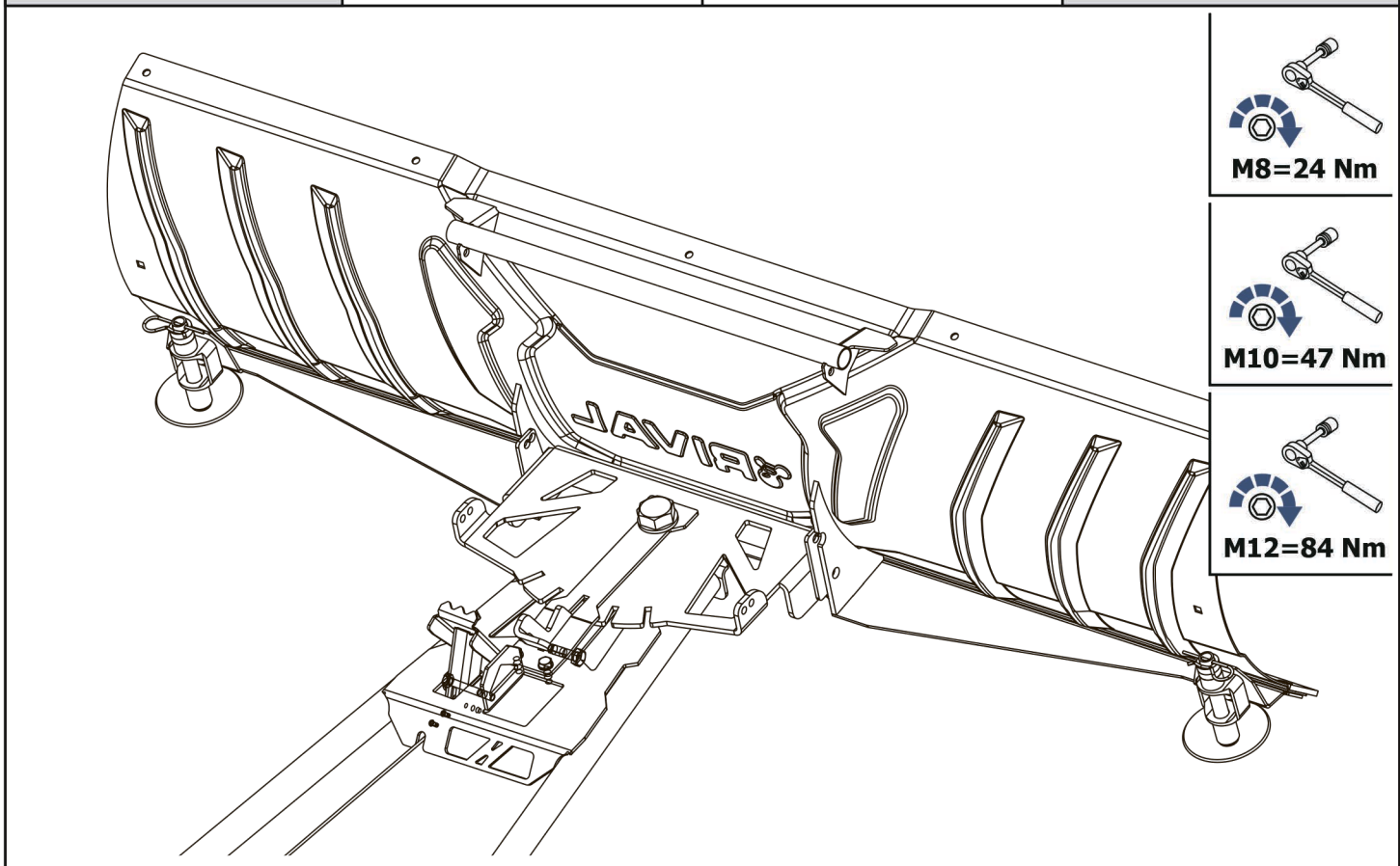




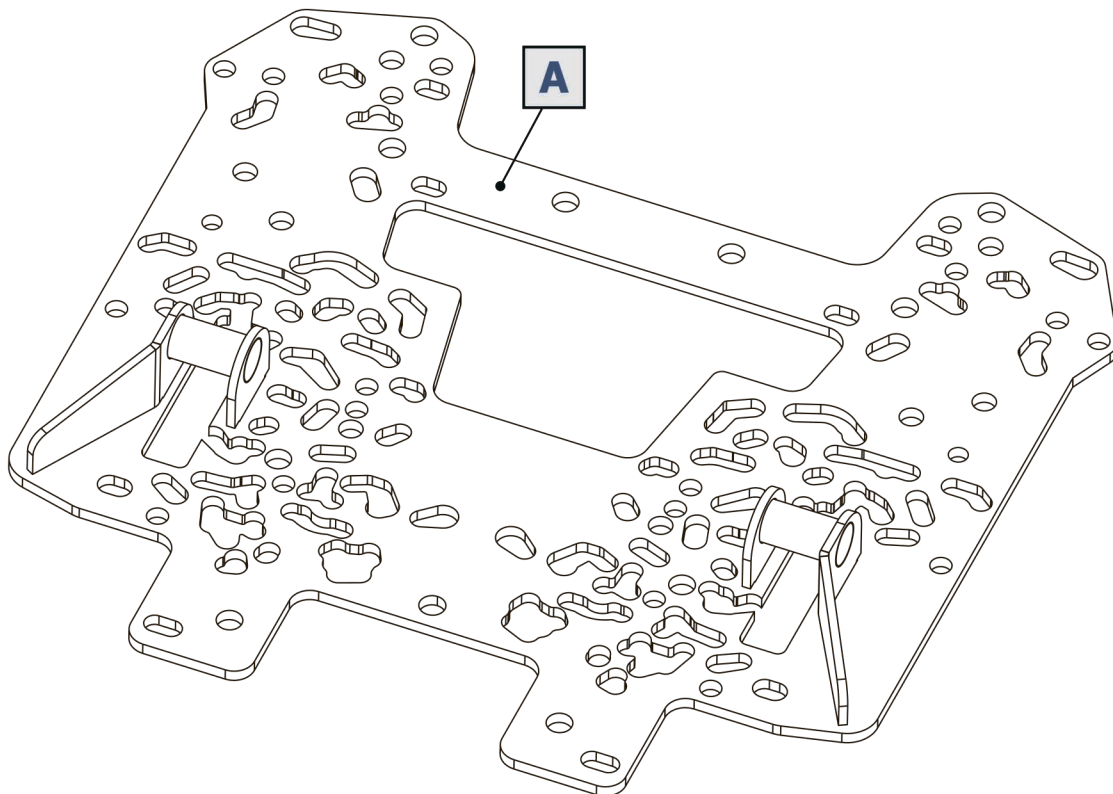



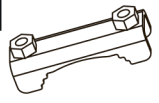
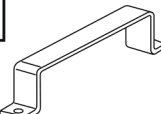
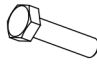
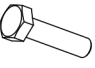
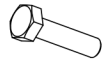
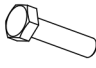
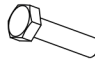

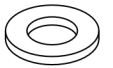


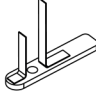
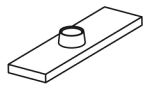
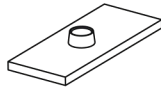
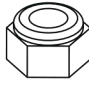
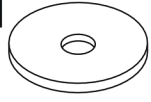
LEFT = RIGHT

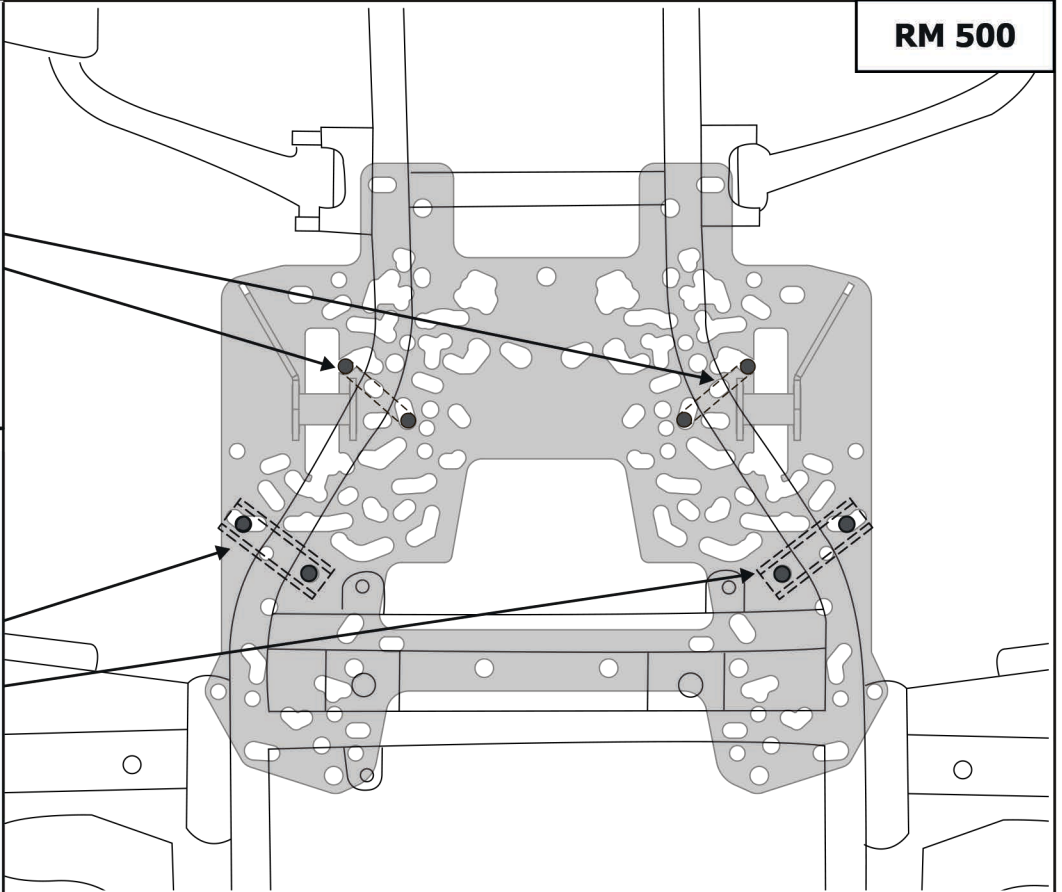
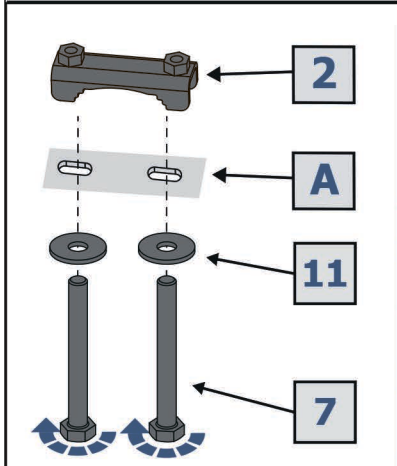
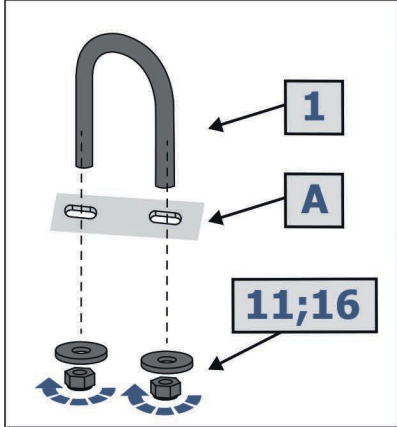
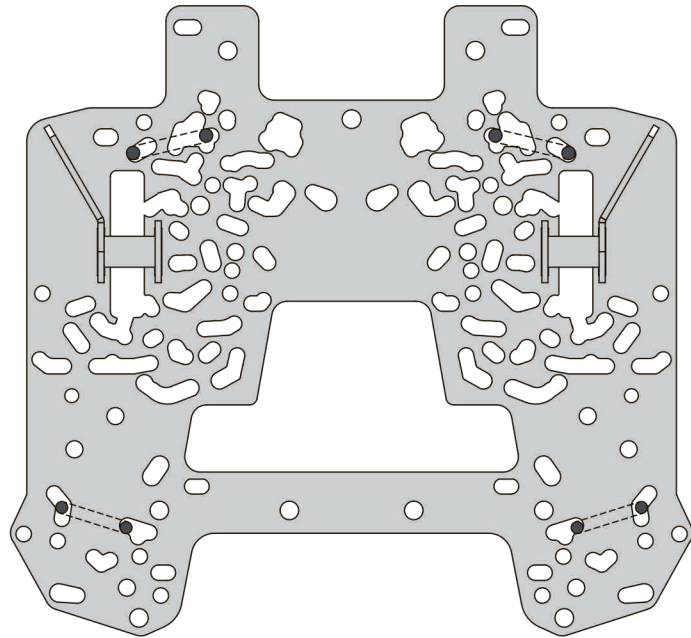
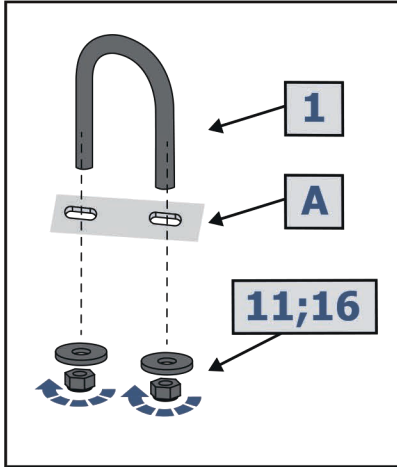
LEFT = RIGHT

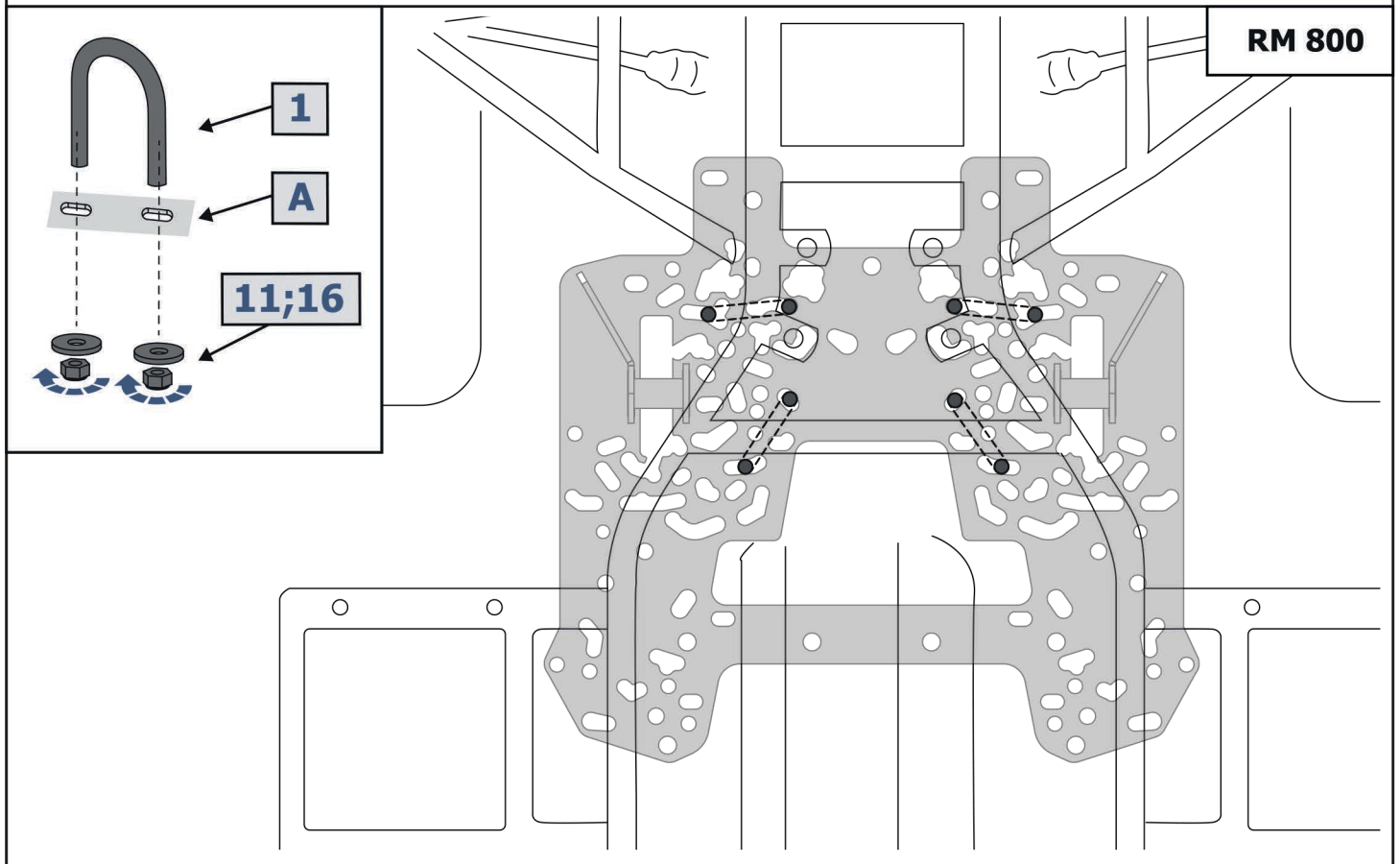
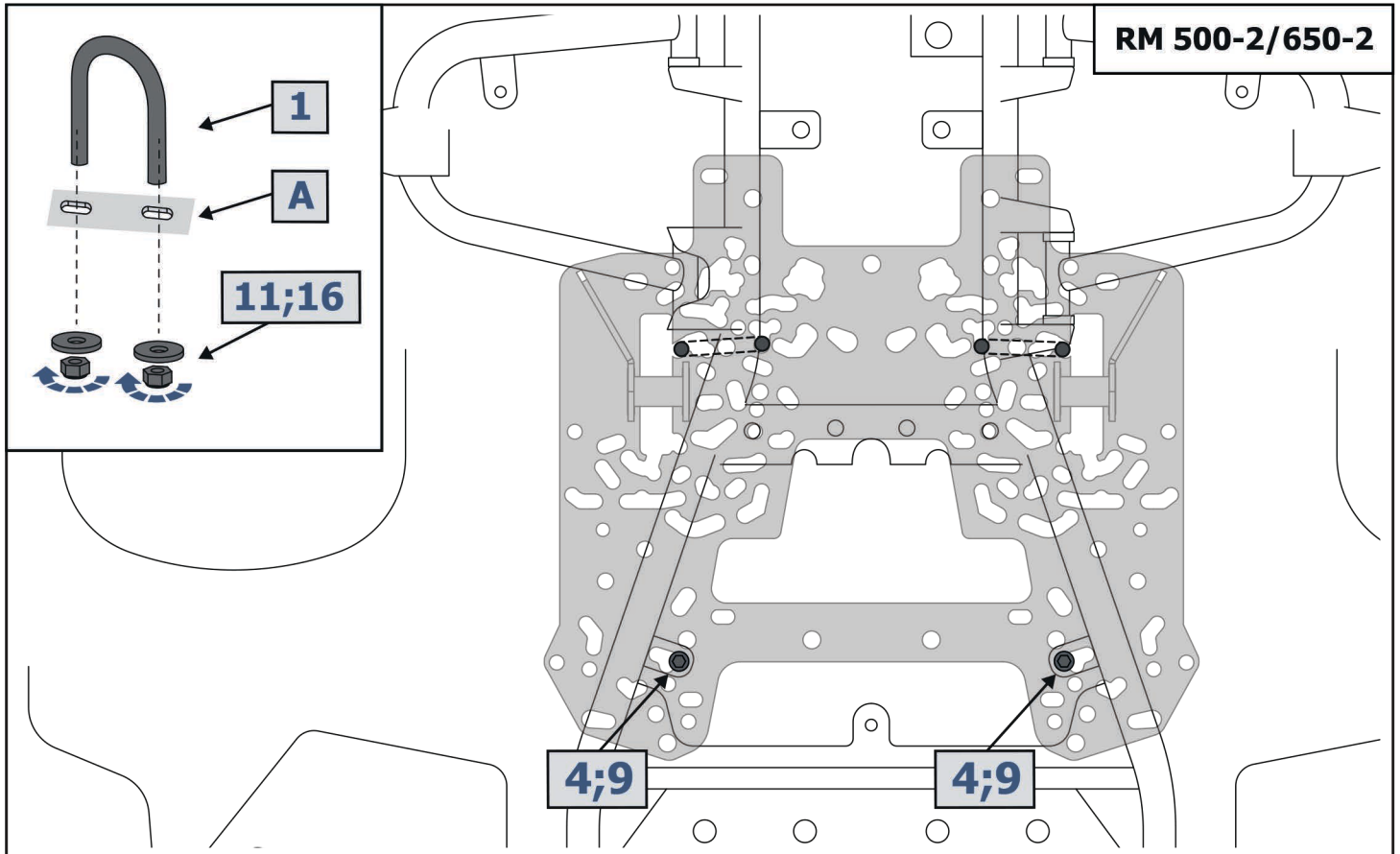


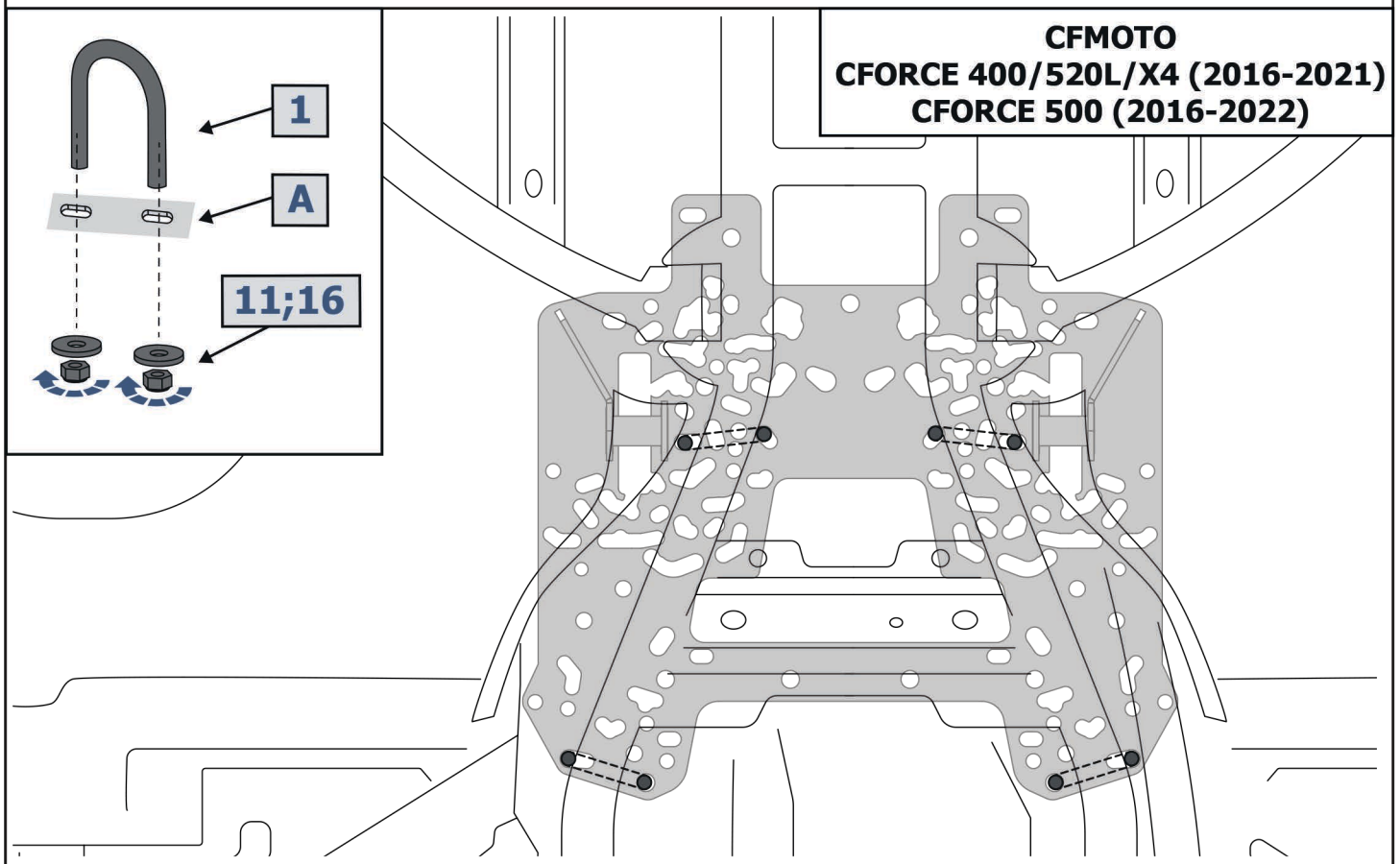
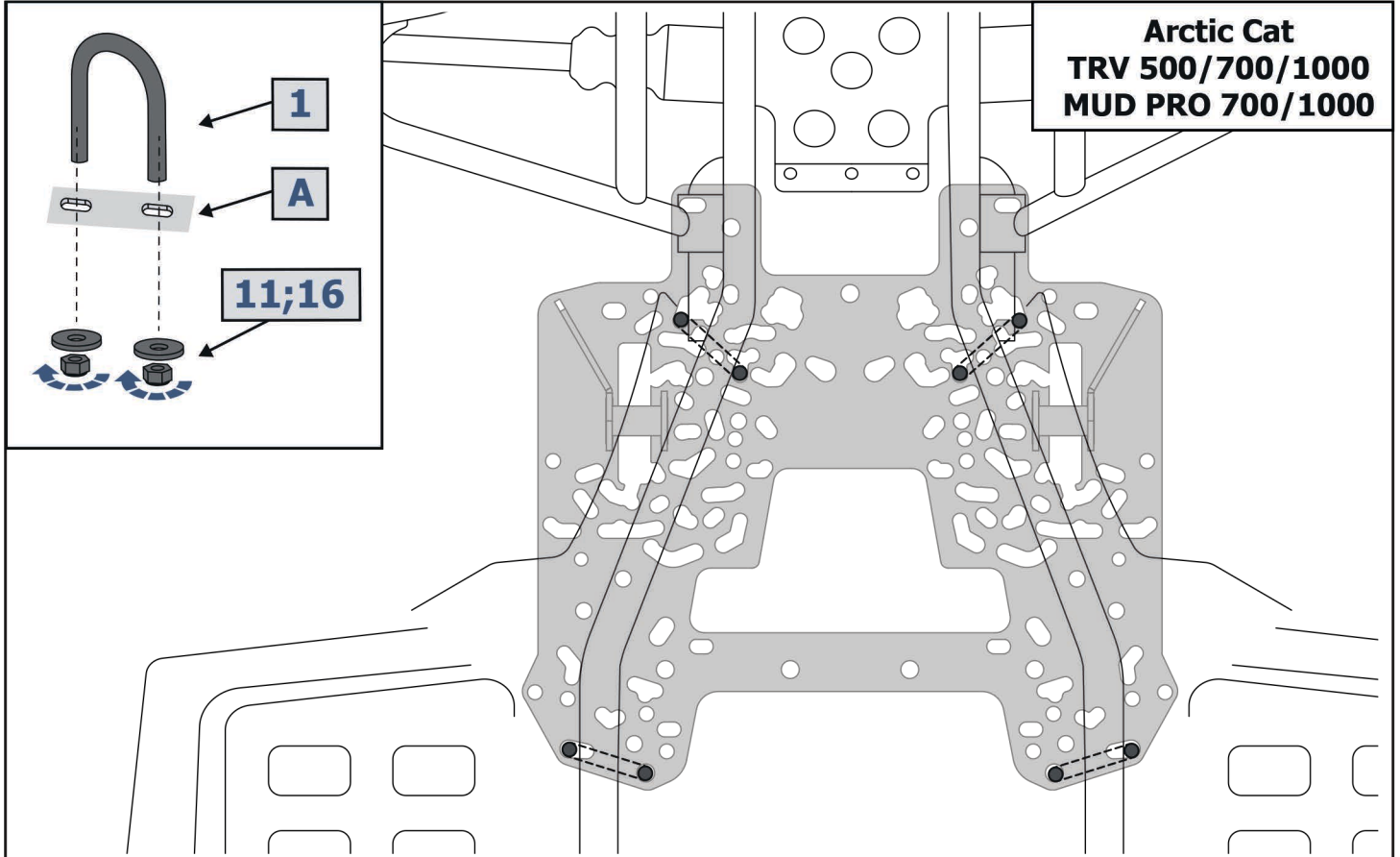
Universal snow blade mounting pad
2444.0038.1



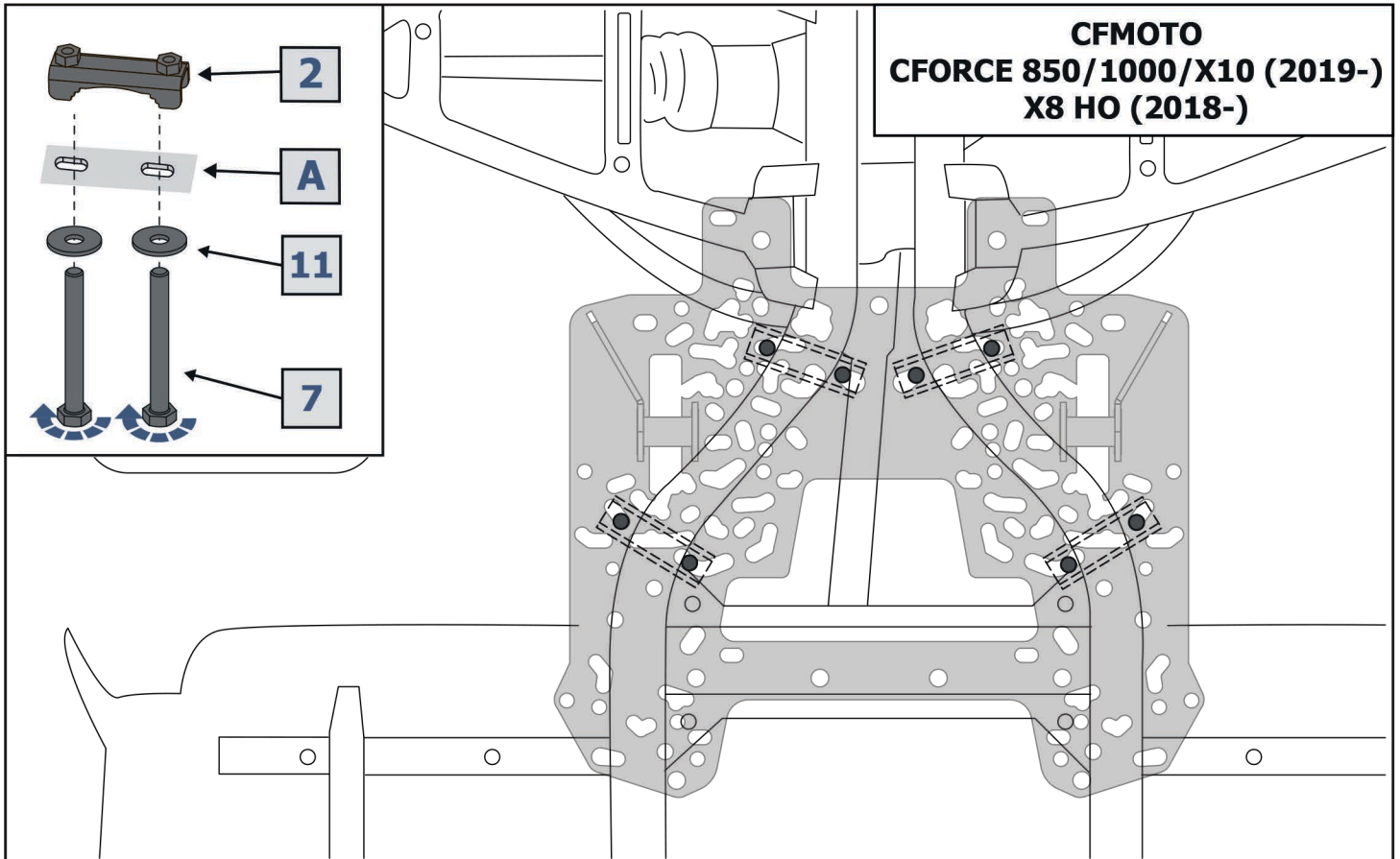
1  x4	2  x4	3  x2	4  M6x30 x2	5  M8x20 x4	6  M8x35 x2
7  M8x80 x8	8  M10x35 x3	9  ø6 x2	10  ø8 x4	11  ø8 x8	12  ø10 x3
13  M8x65/15 x2	14  M10x65/35,5 x1	15  M10x105/35 x2	16  M8 x8	17  ø8 x4	



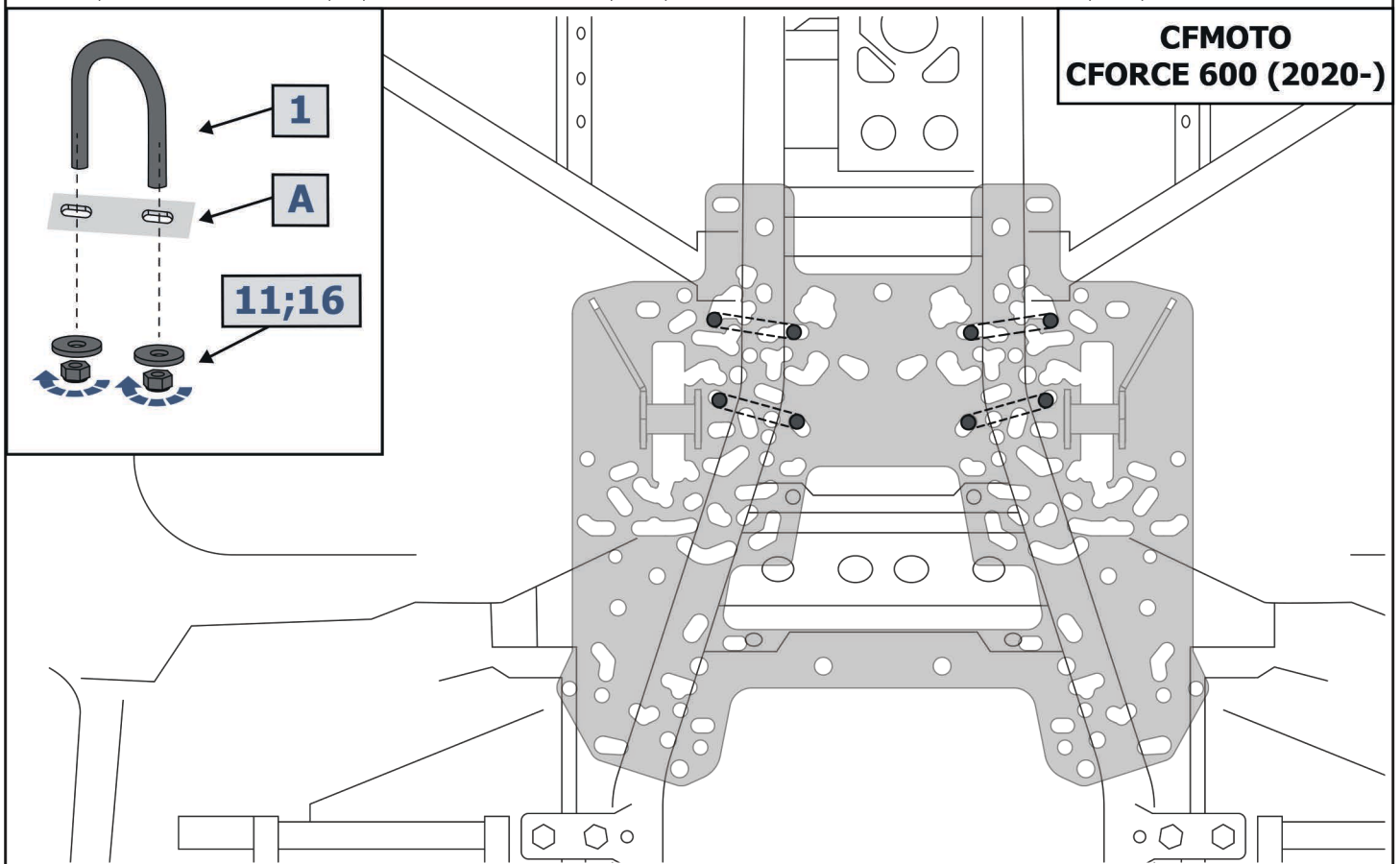




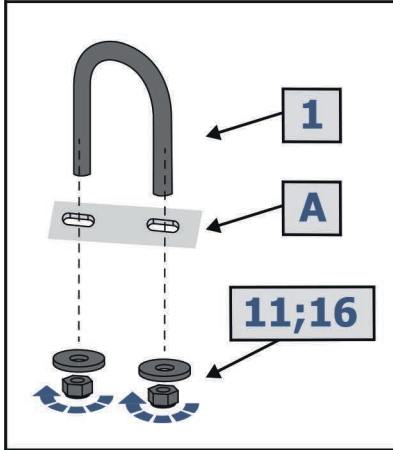
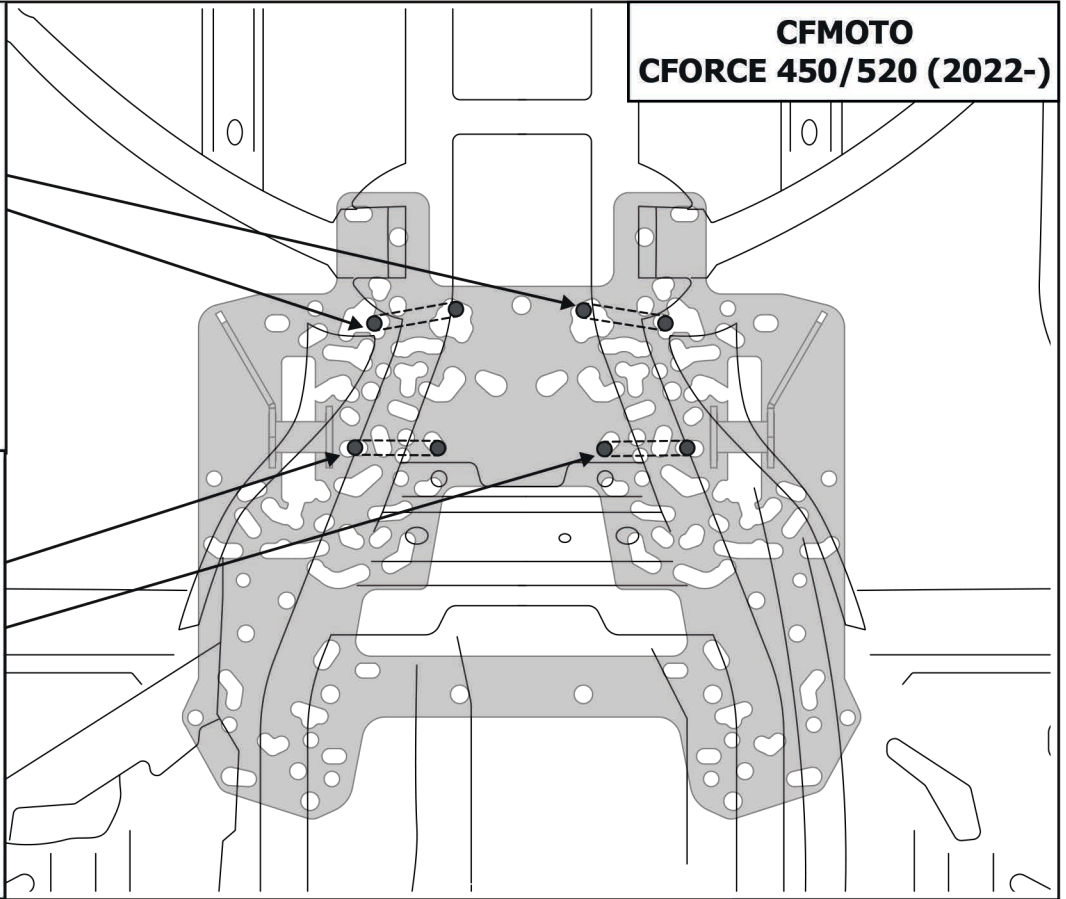
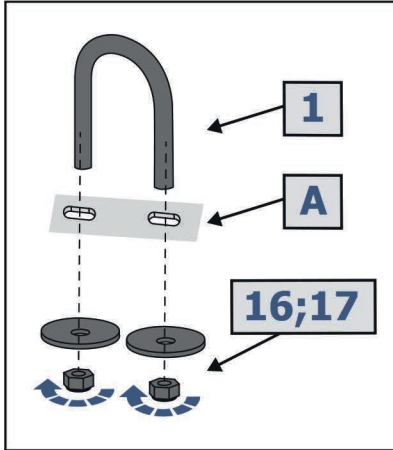
**CFMOTO
CFORCE 850/1000/X10 (2019-)
X8 HO (2018-)**



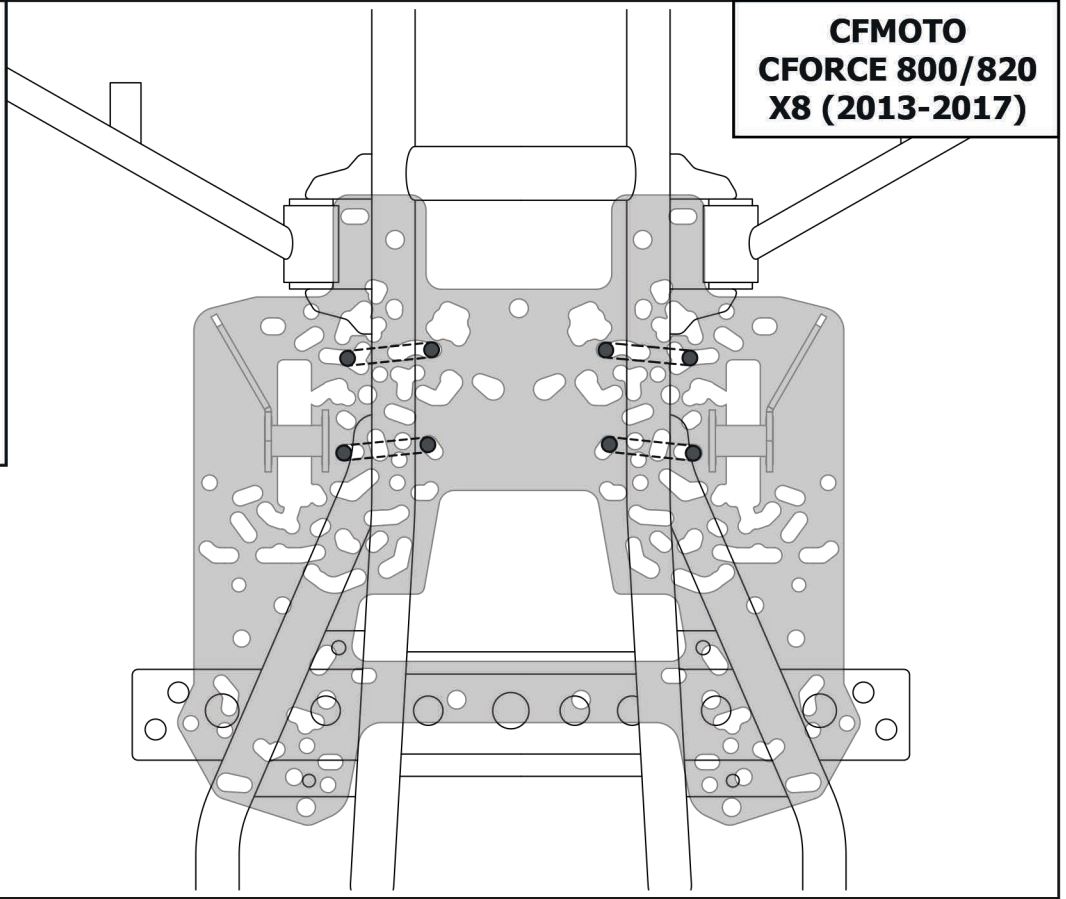
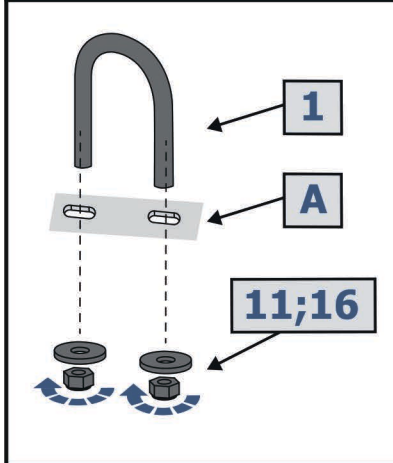
**CFMOTO
CFORCE 600 (2020-)**



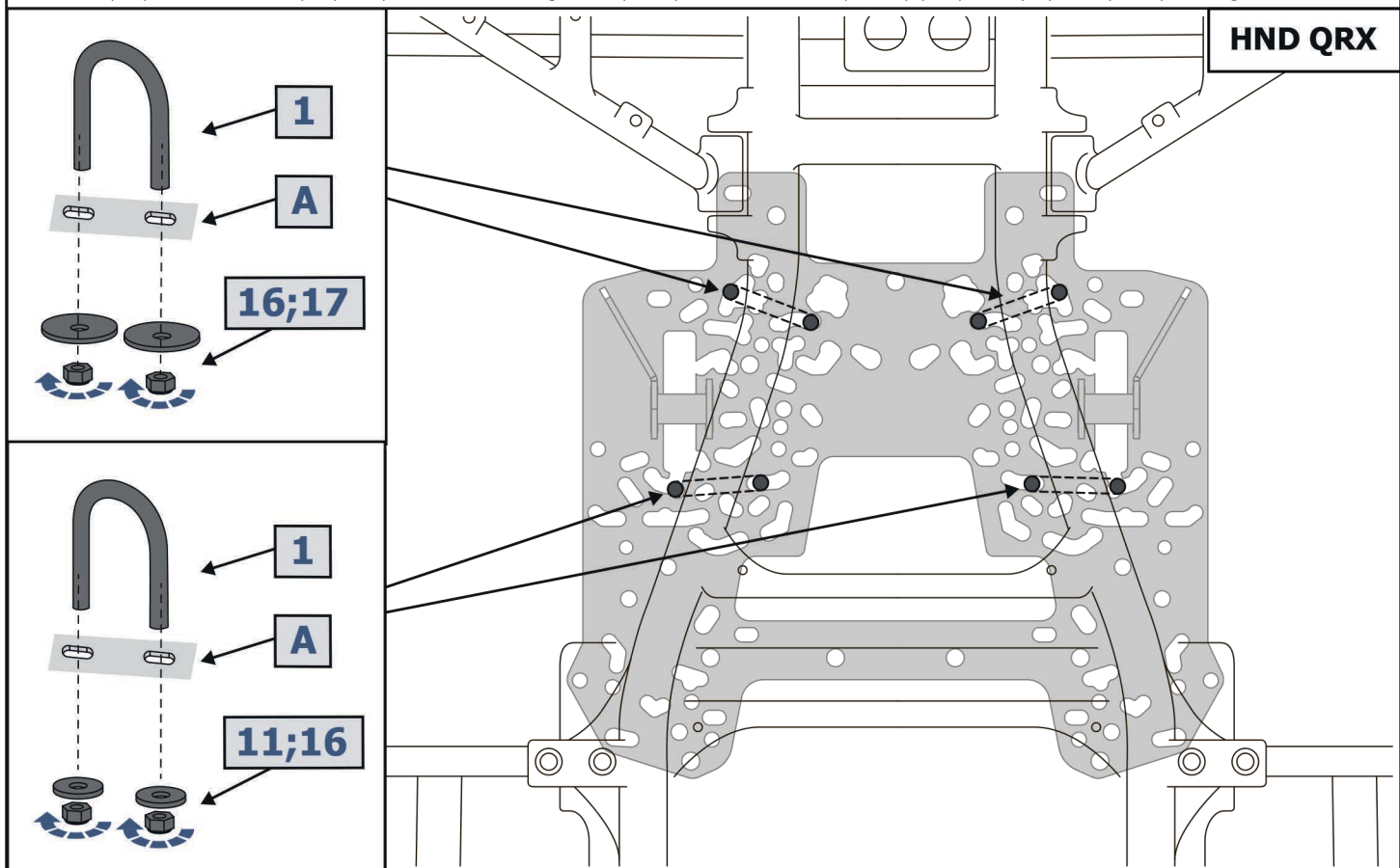
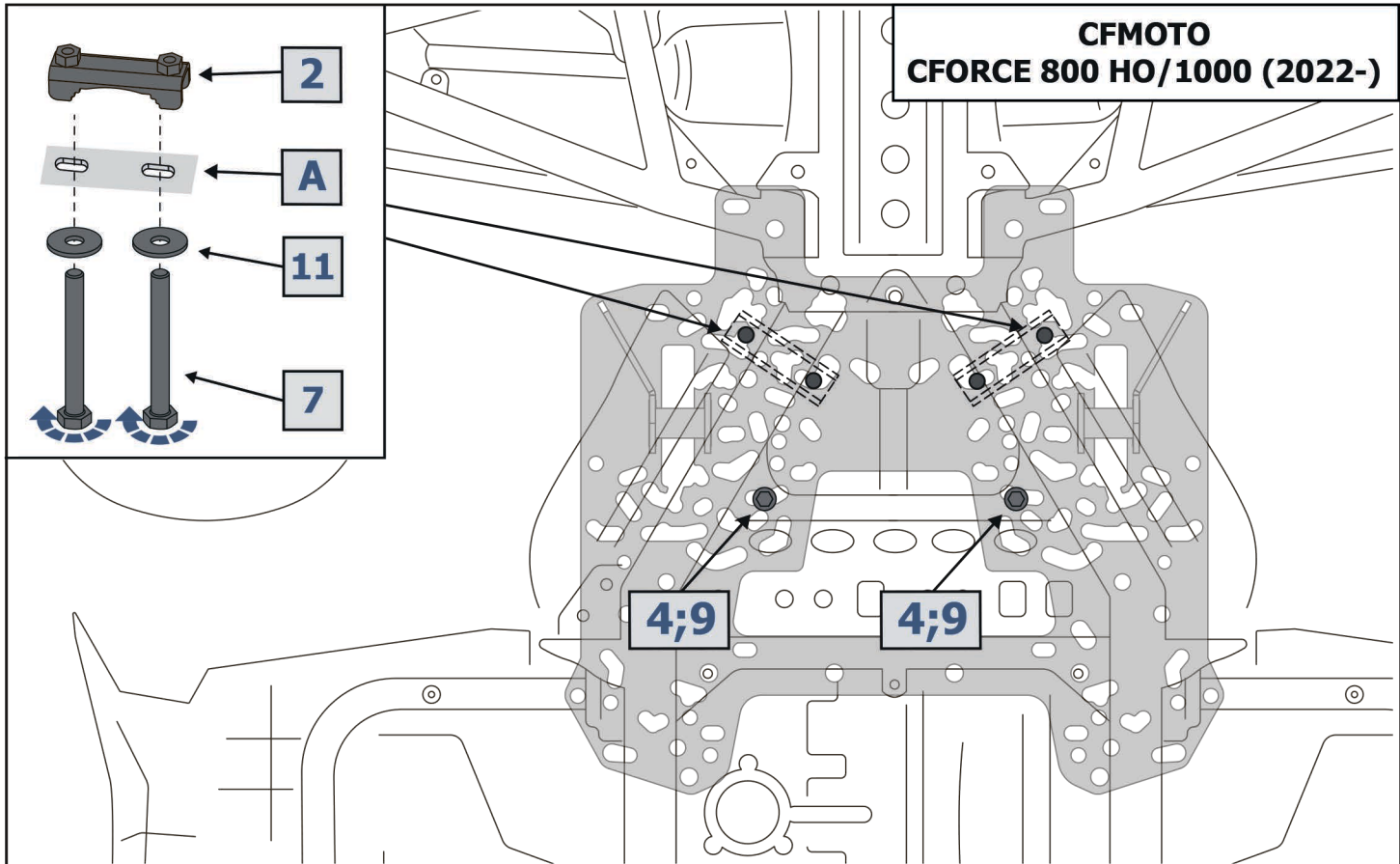
**CFMOTO
CFORCE 450/520 (2022-)**

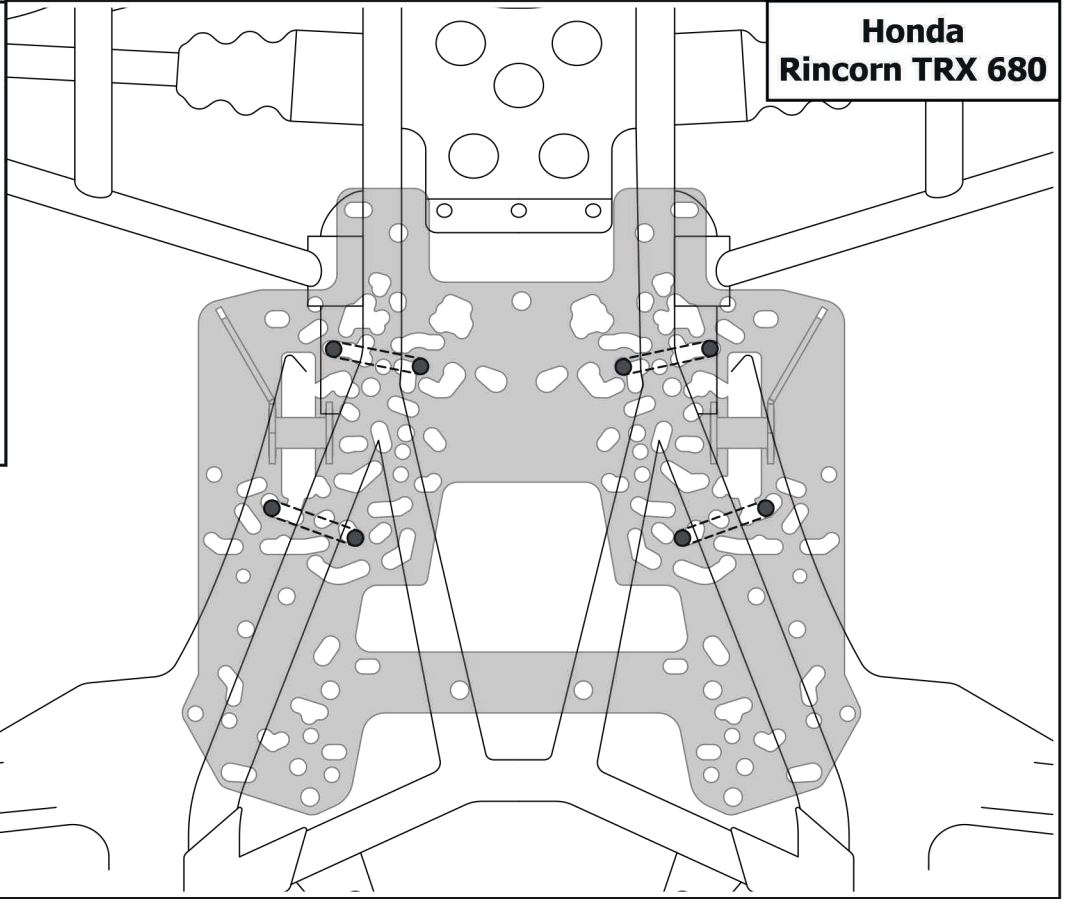
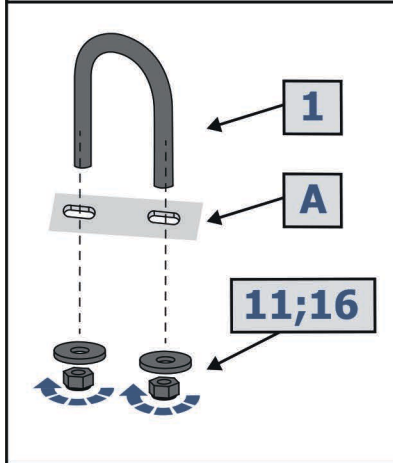
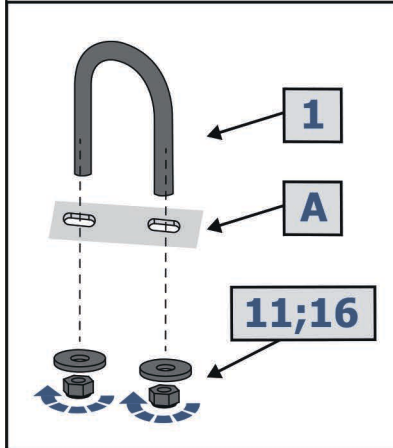
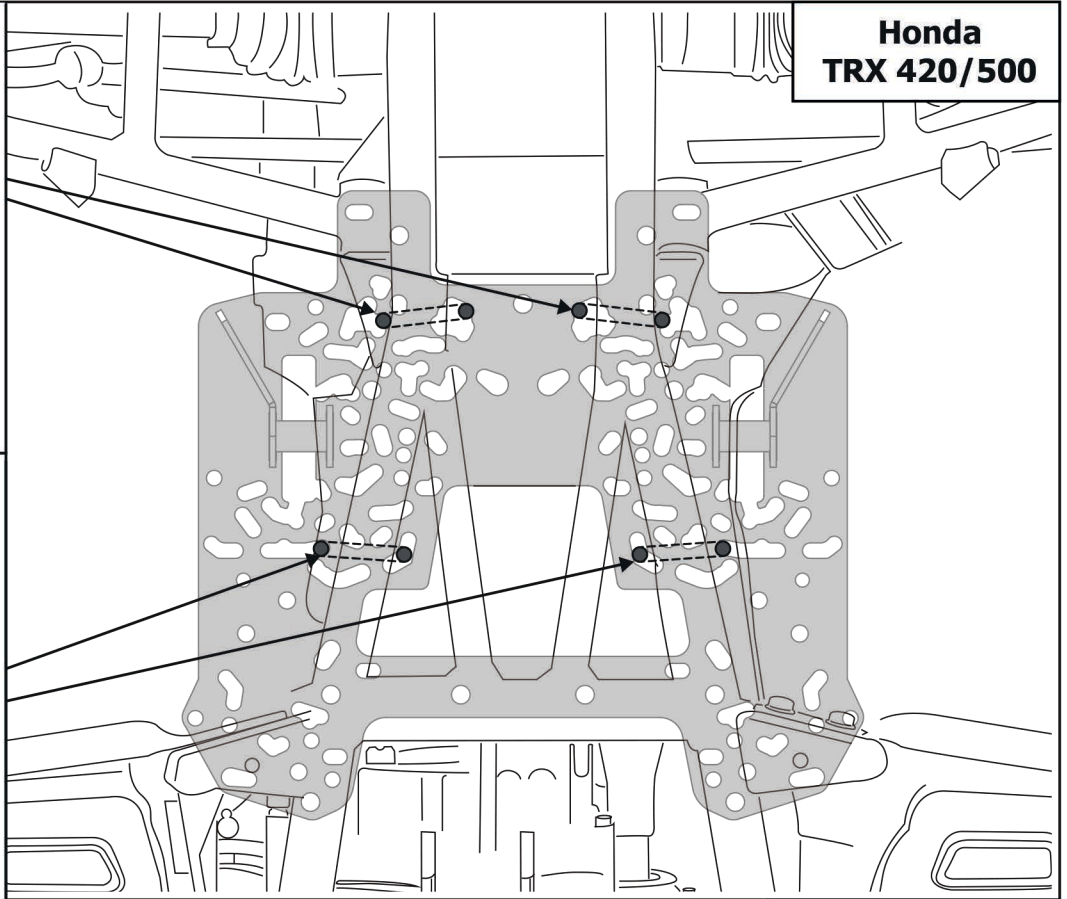
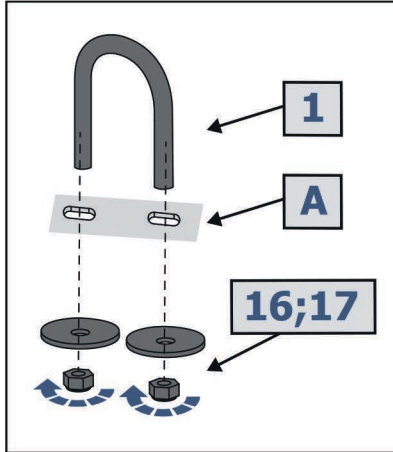


**CFMOTO
CFORCE 800/820
X8 (2013-2017)**

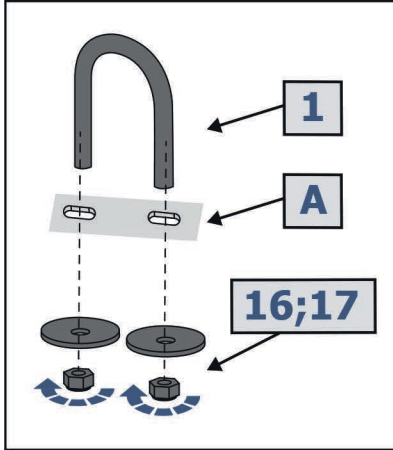
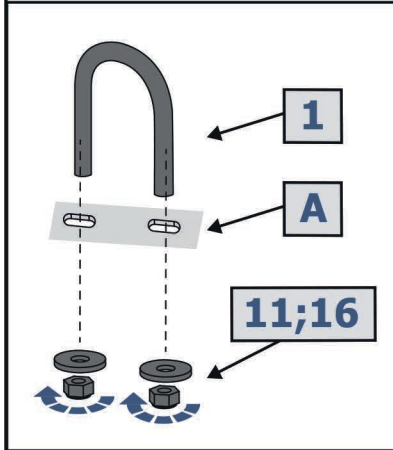
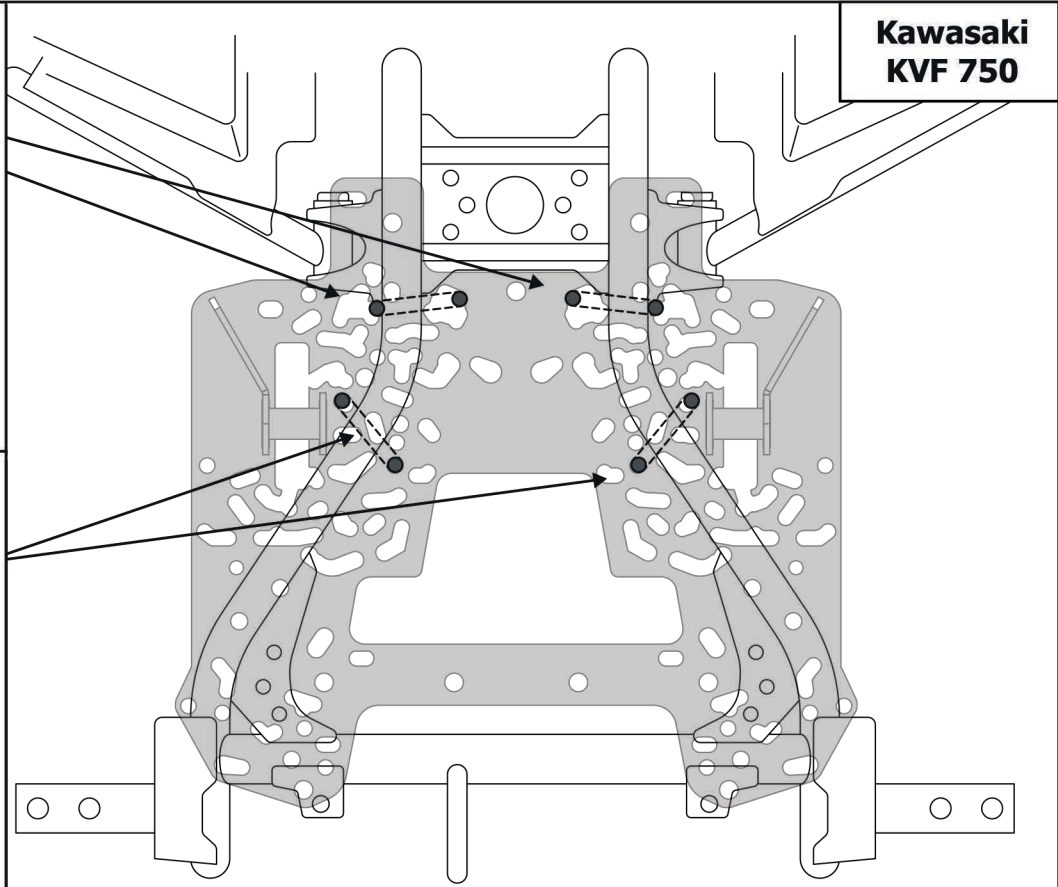
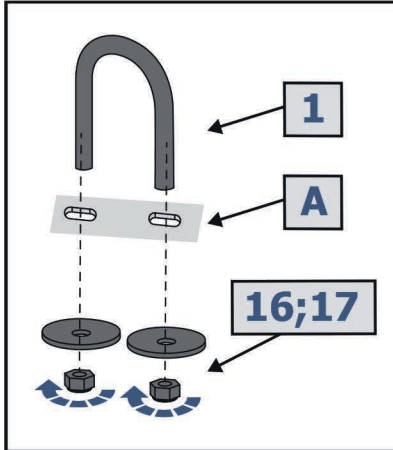


**CFMOTO
CFORCE 800 HO/1000 (2022-)**

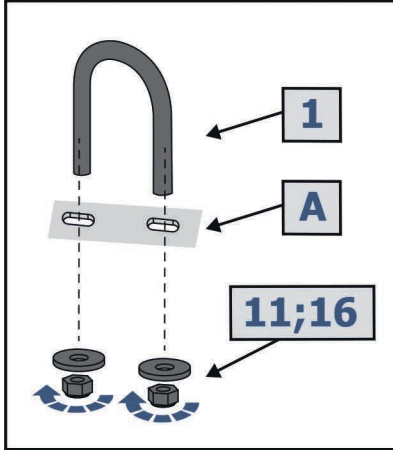
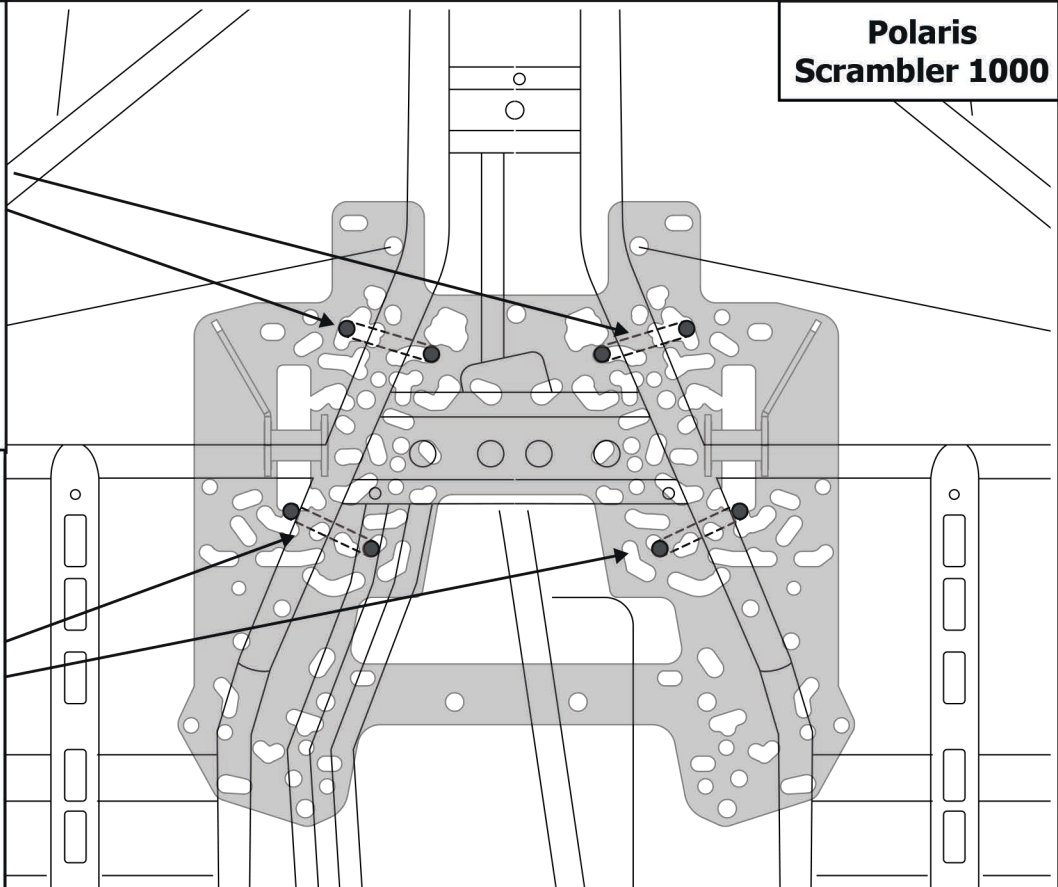




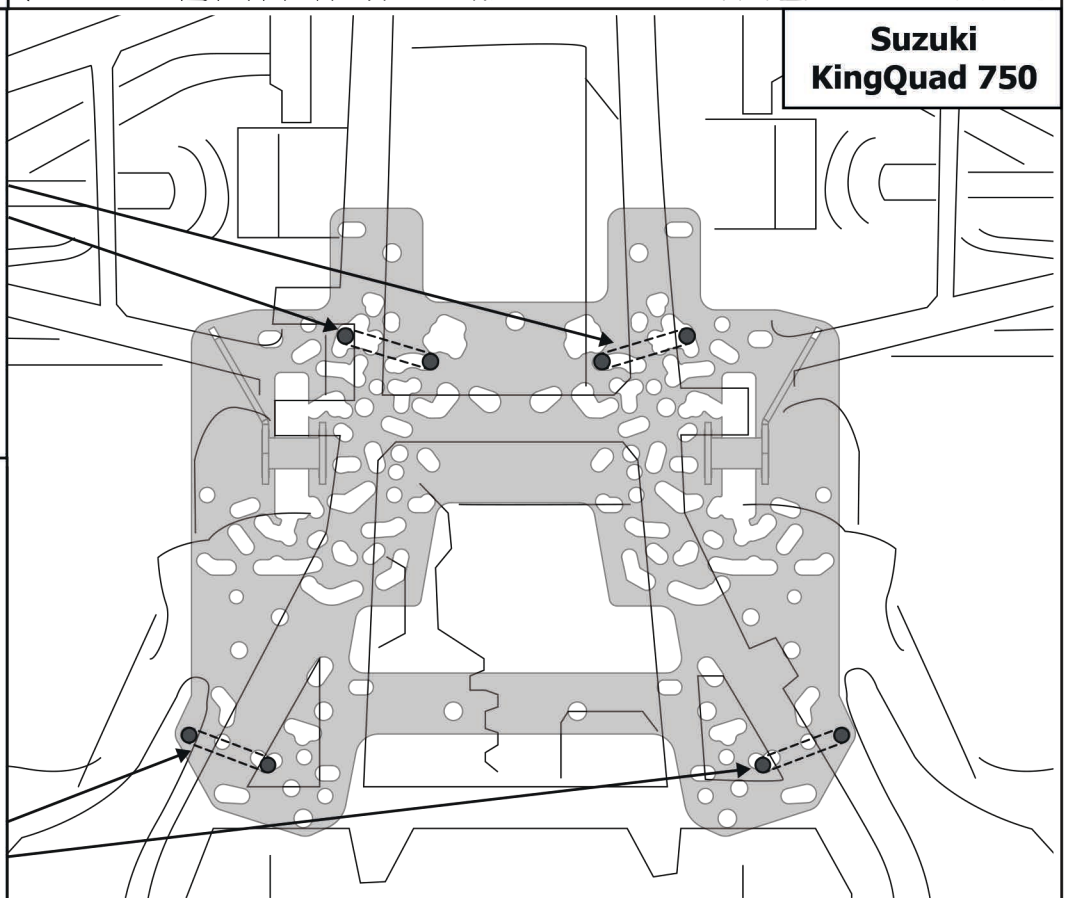
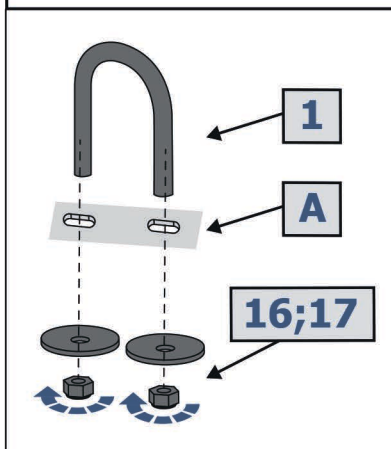
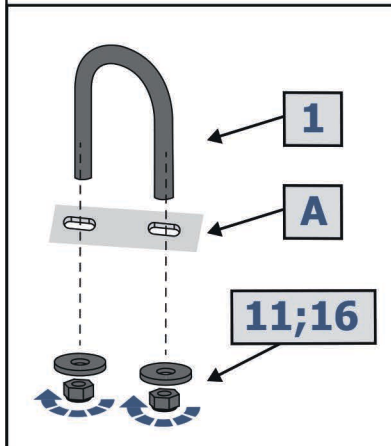
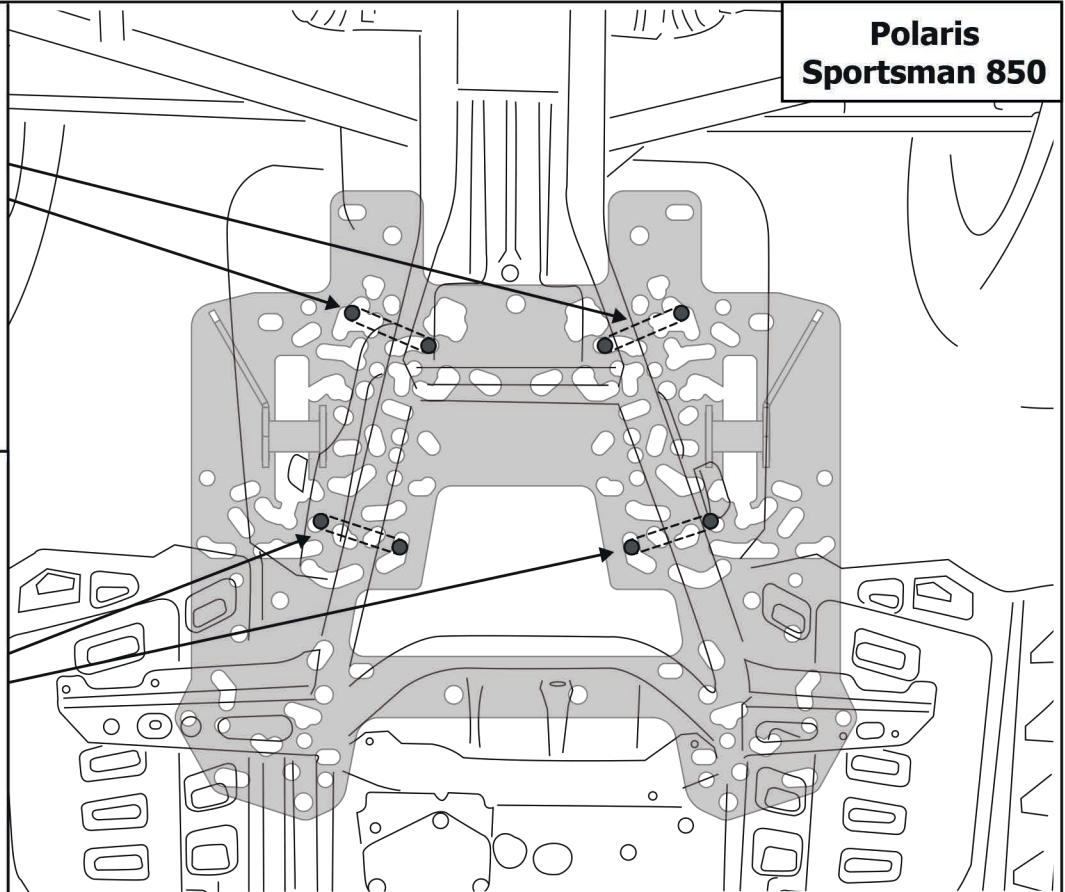
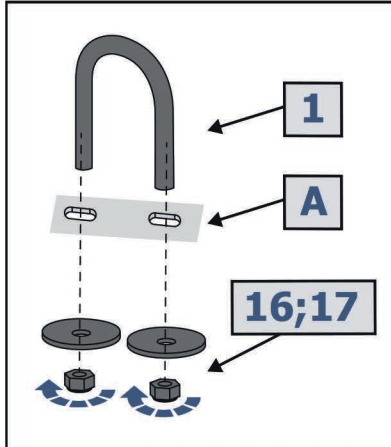
**Kawasaki
KVF 750**



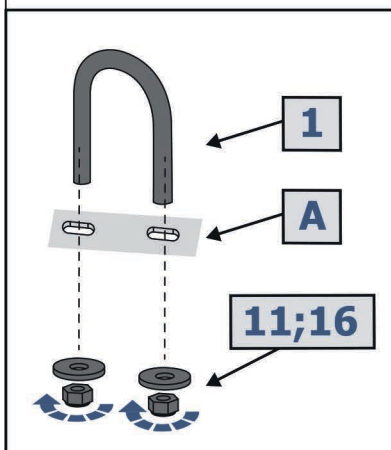
**Polaris
Scrambler 1000**



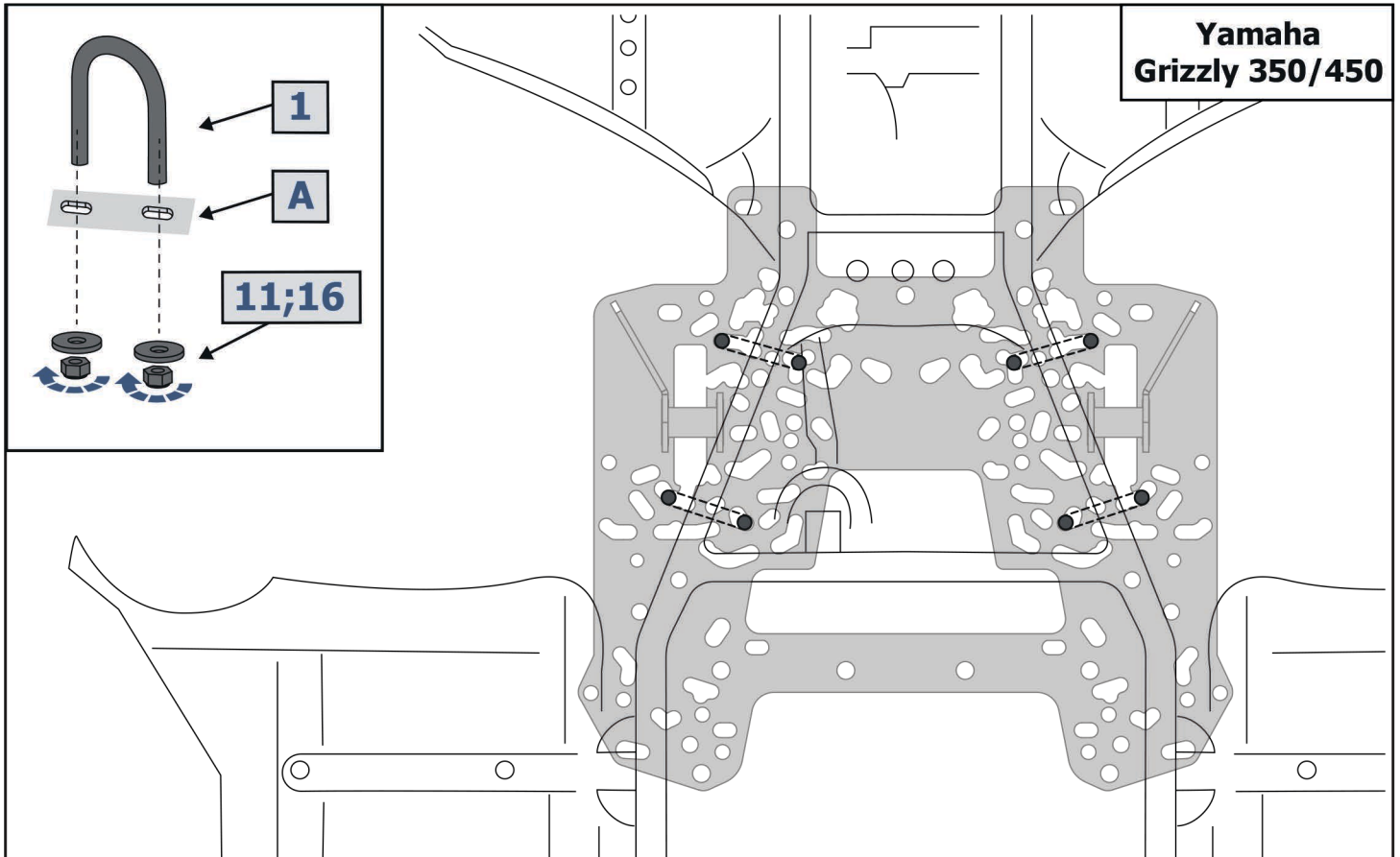
**Polaris
Sportsman 850**



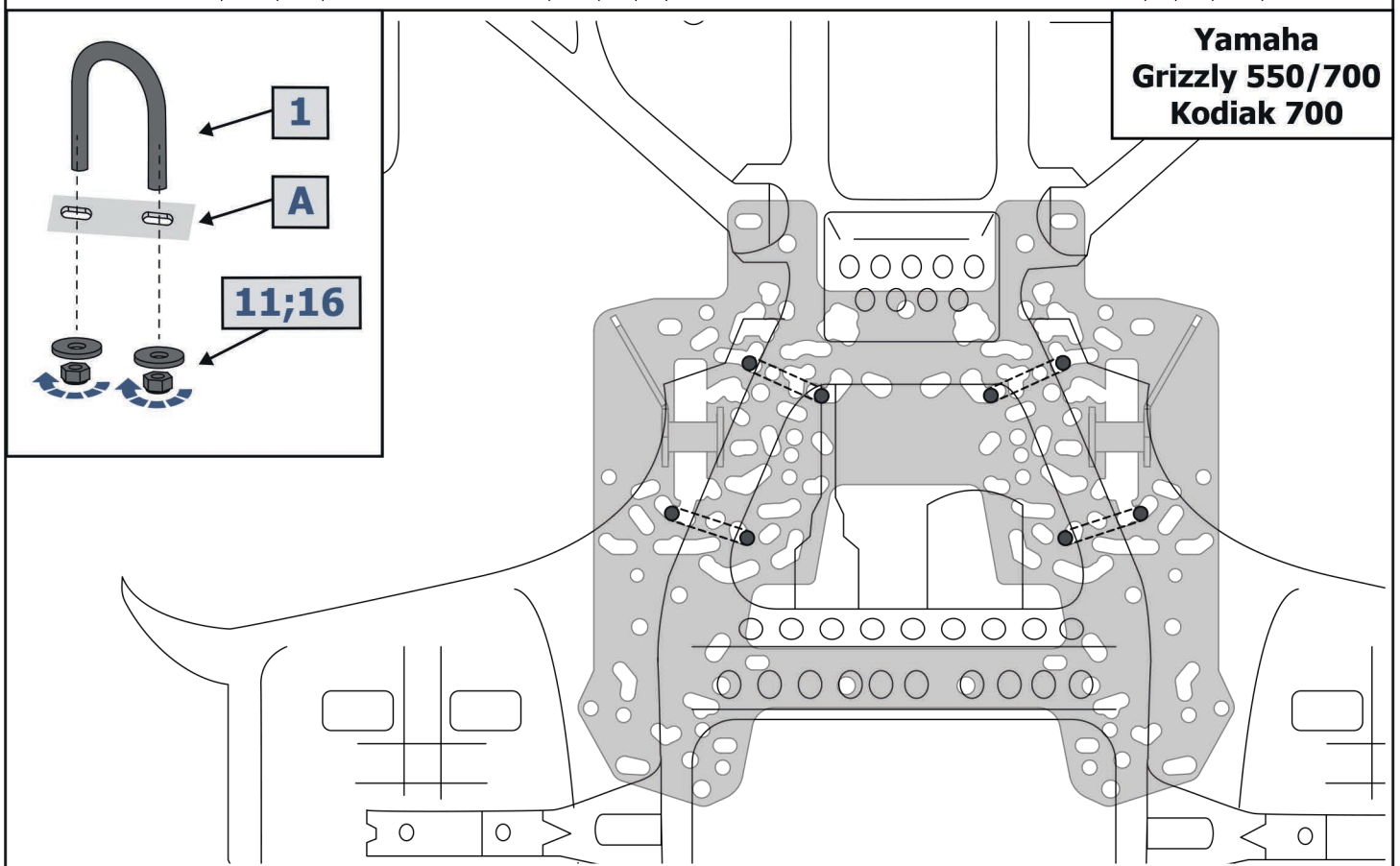
**Suzuki
KingQuad 750**

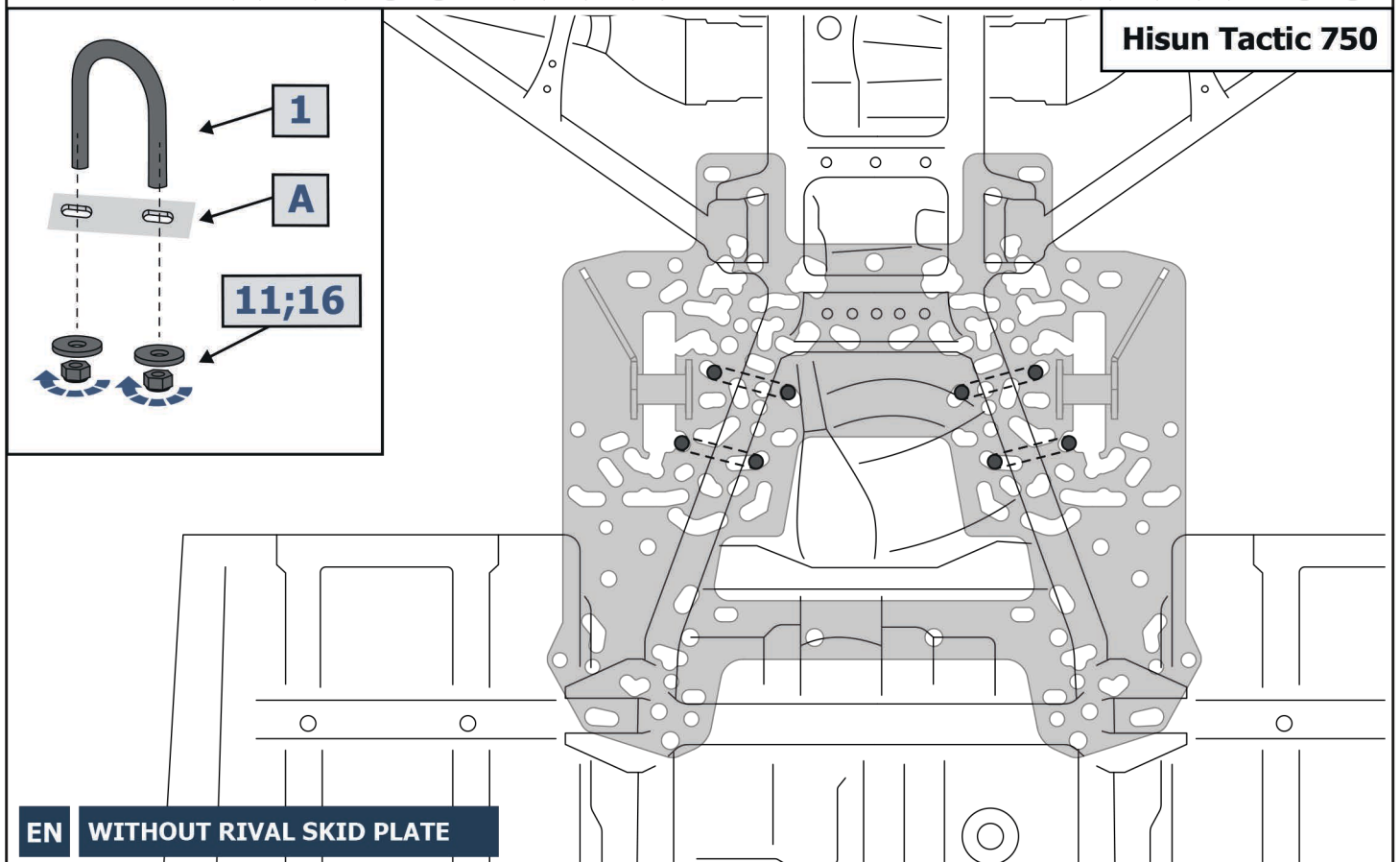
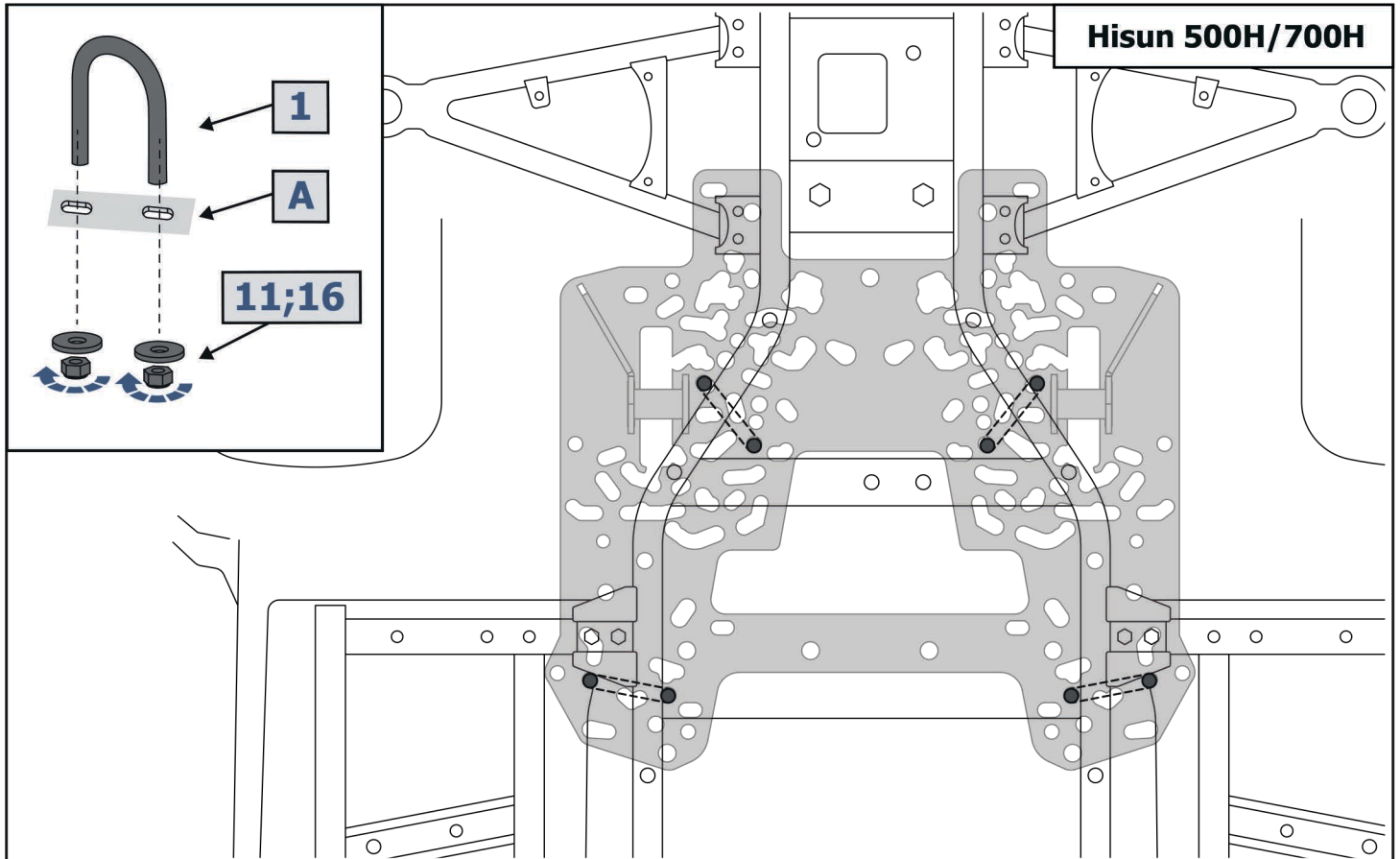


**Yamaha
Grizzly 350/450**



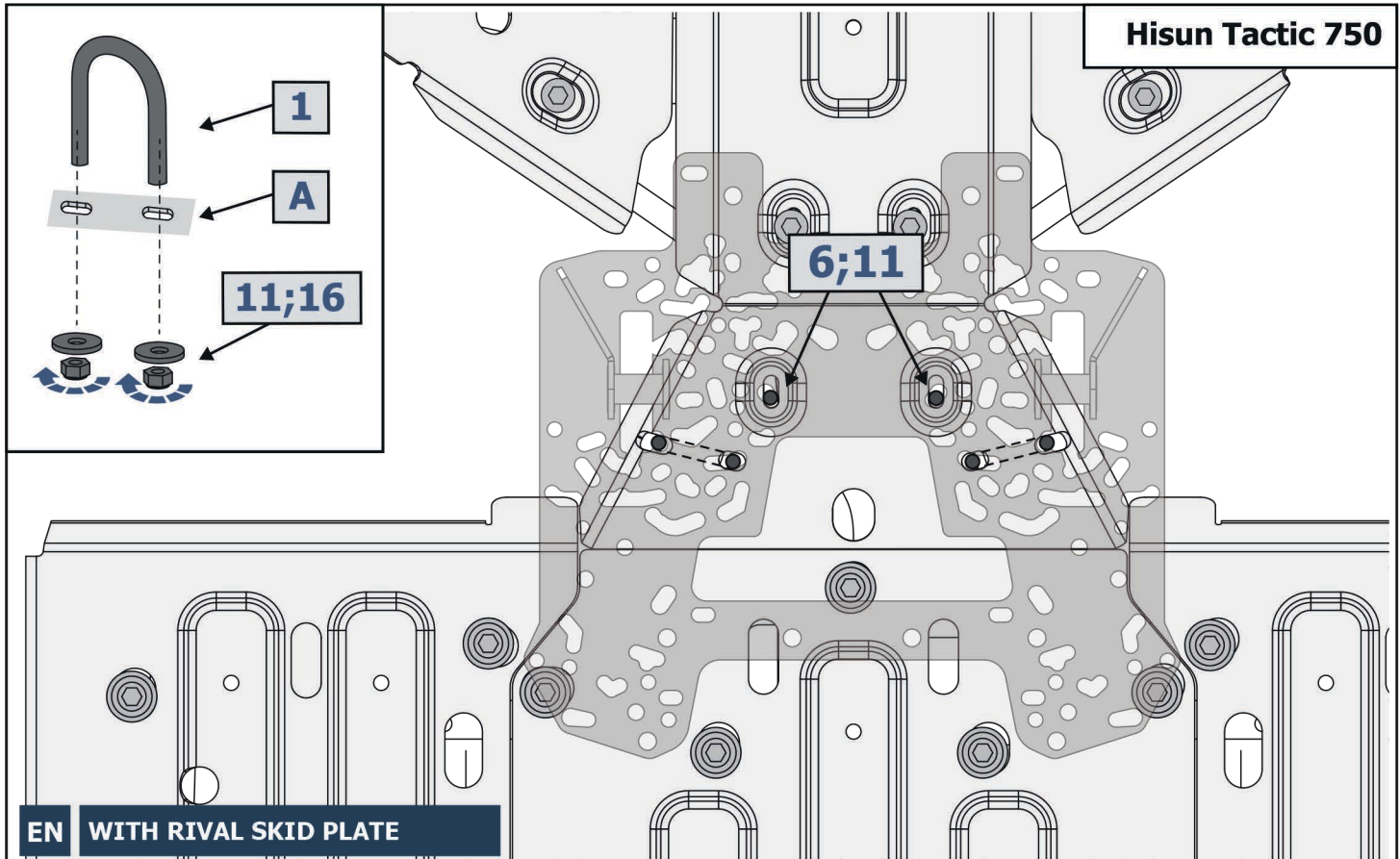
**Yamaha
Grizzly 550/700
Kodiak 700**



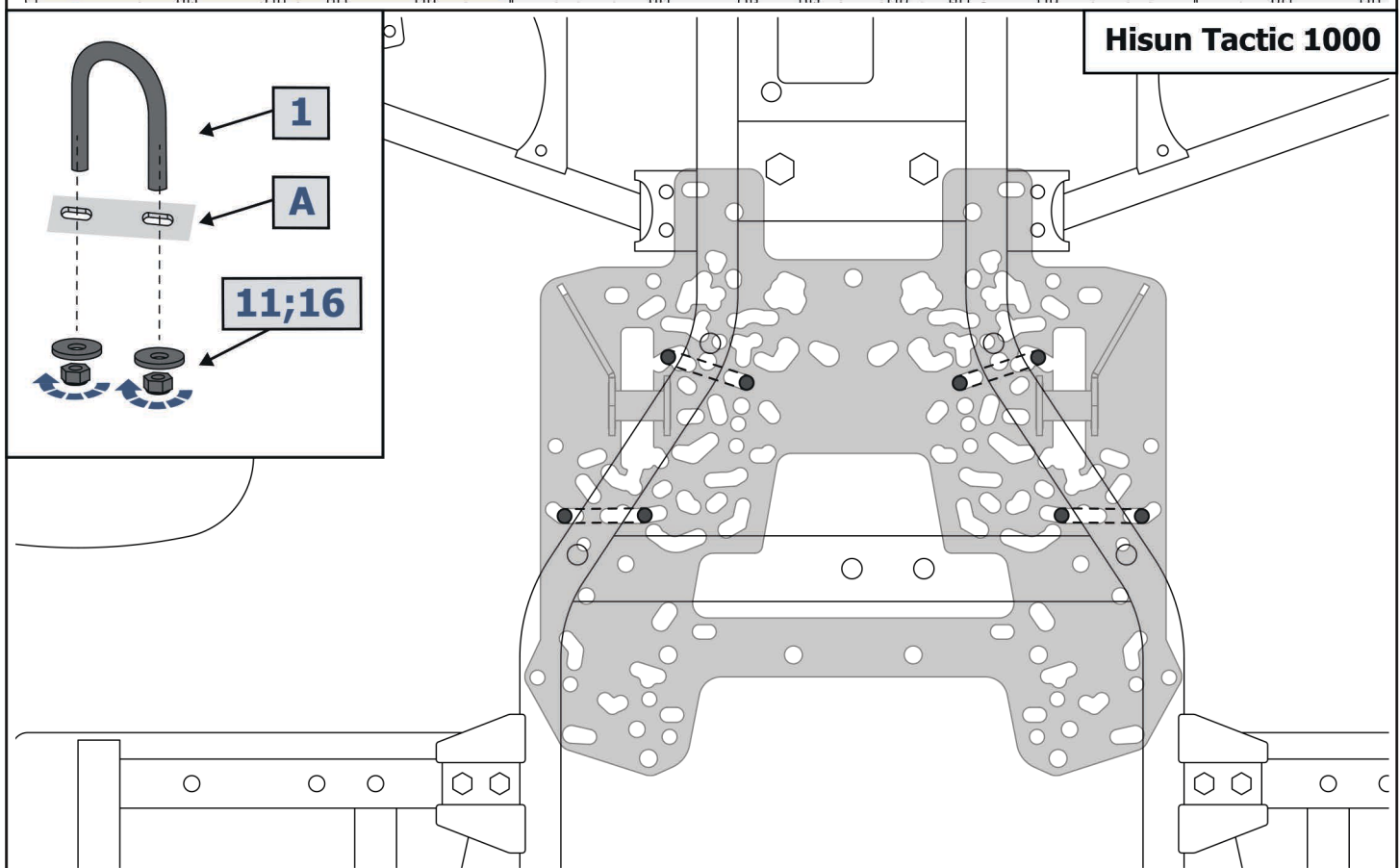


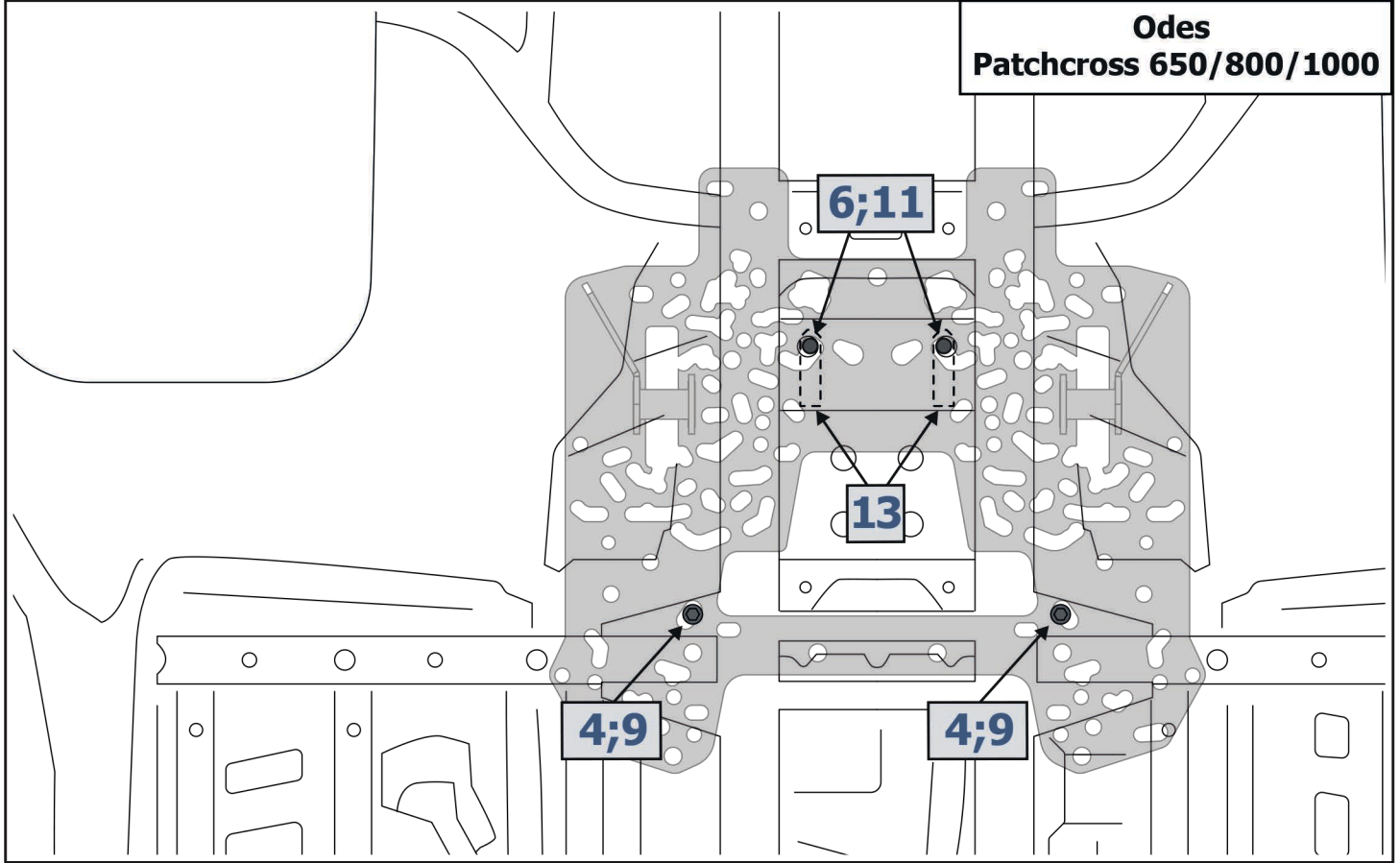
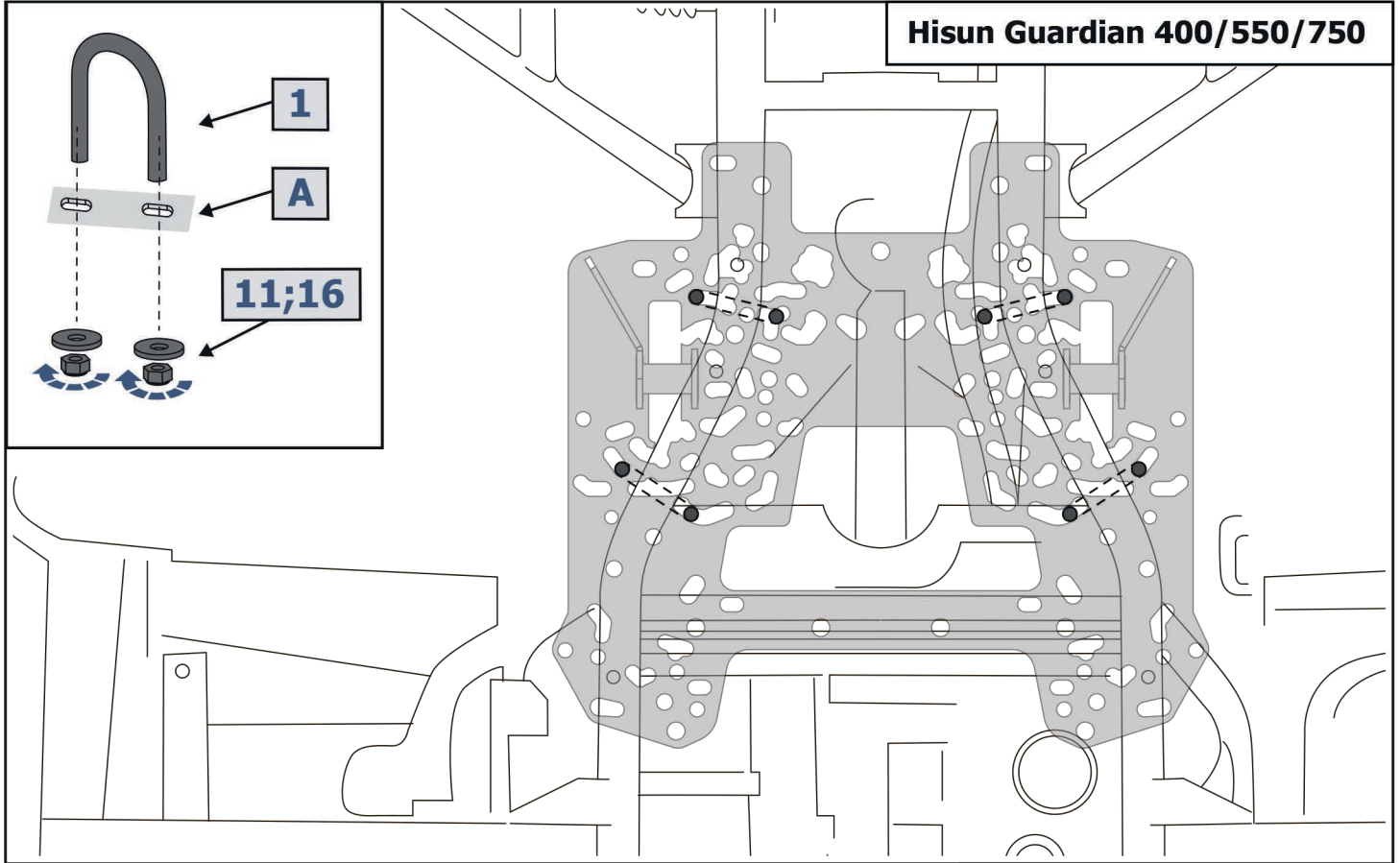
EN WITHOUT RIVAL SKID PLATE

Hisun Tactic 750

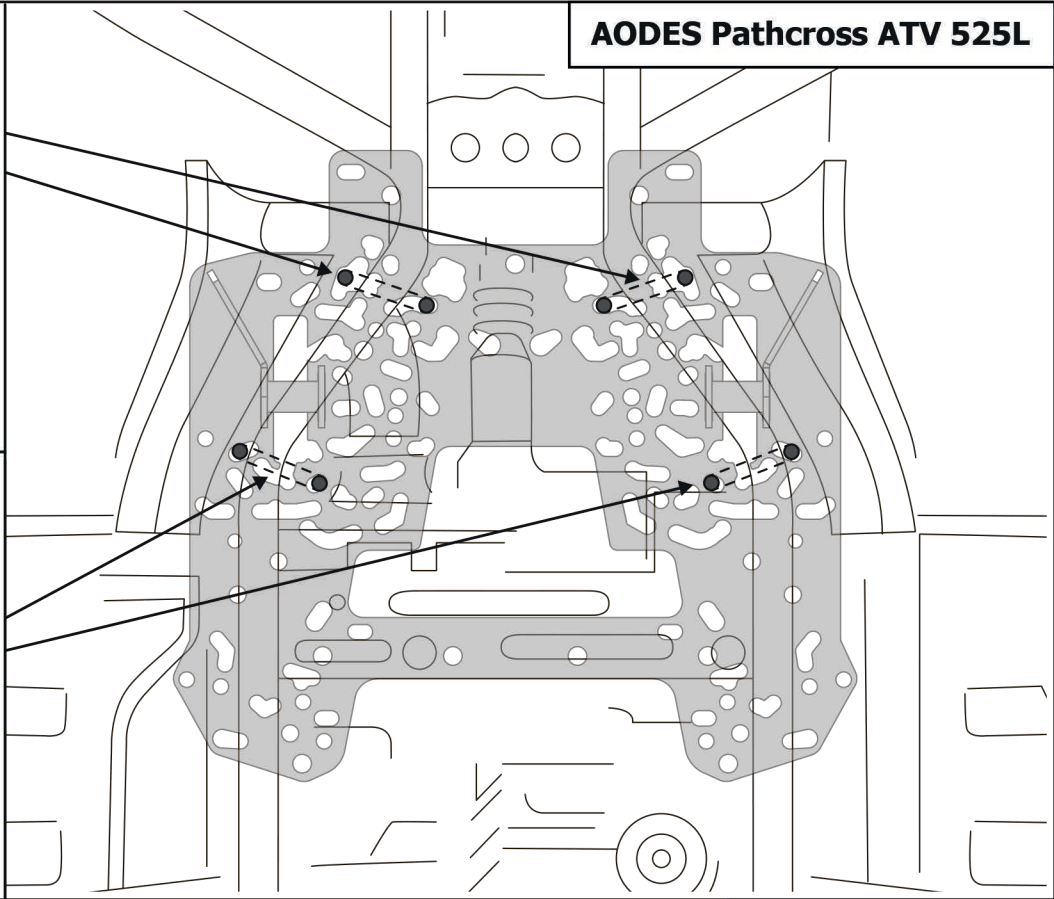
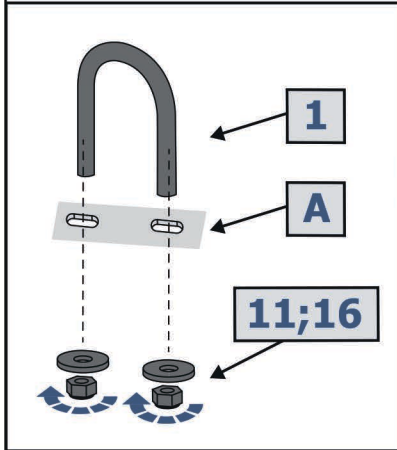
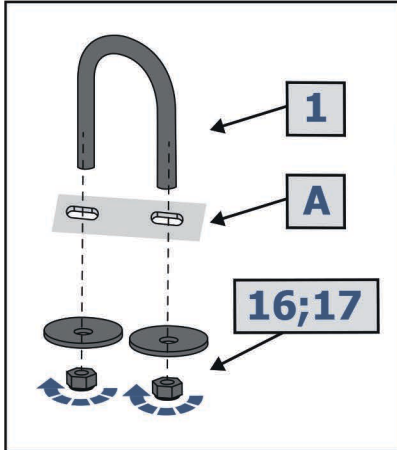


Hisun Tactic 1000

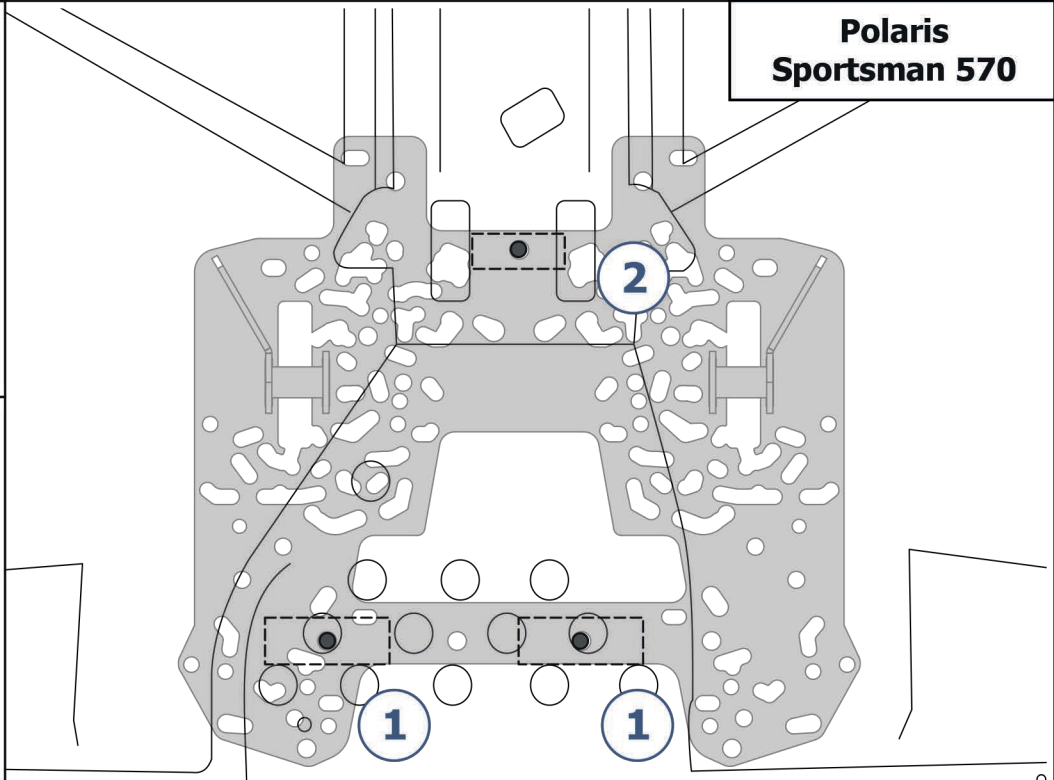
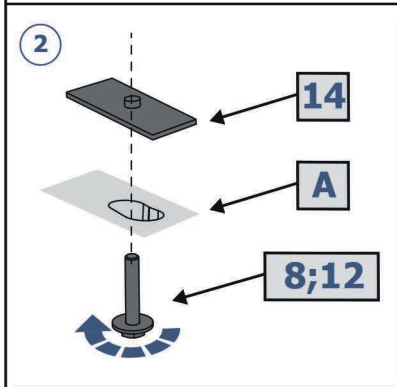
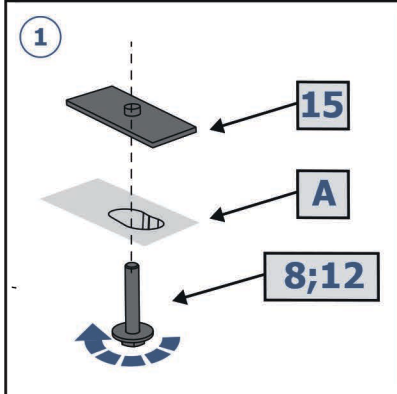


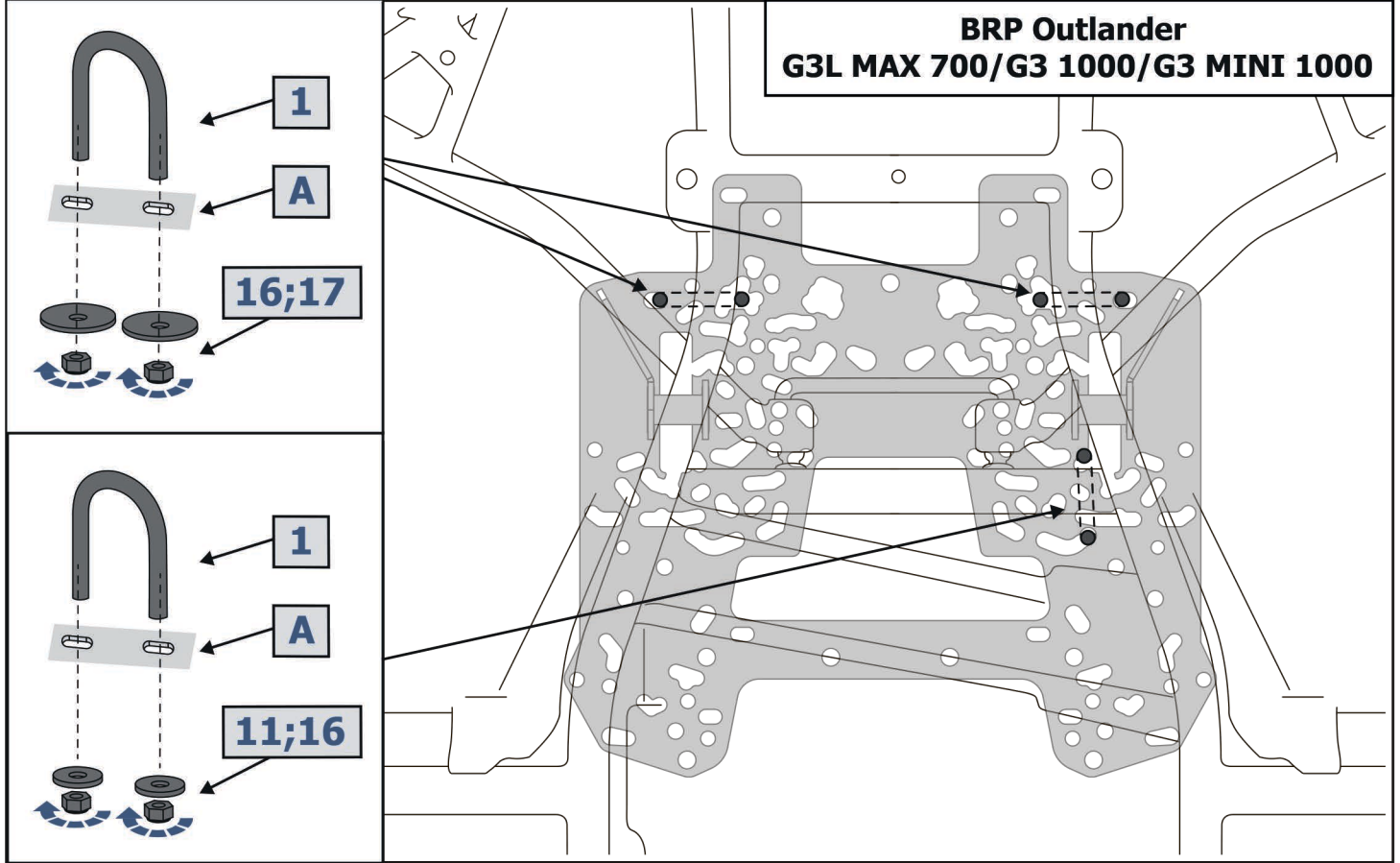
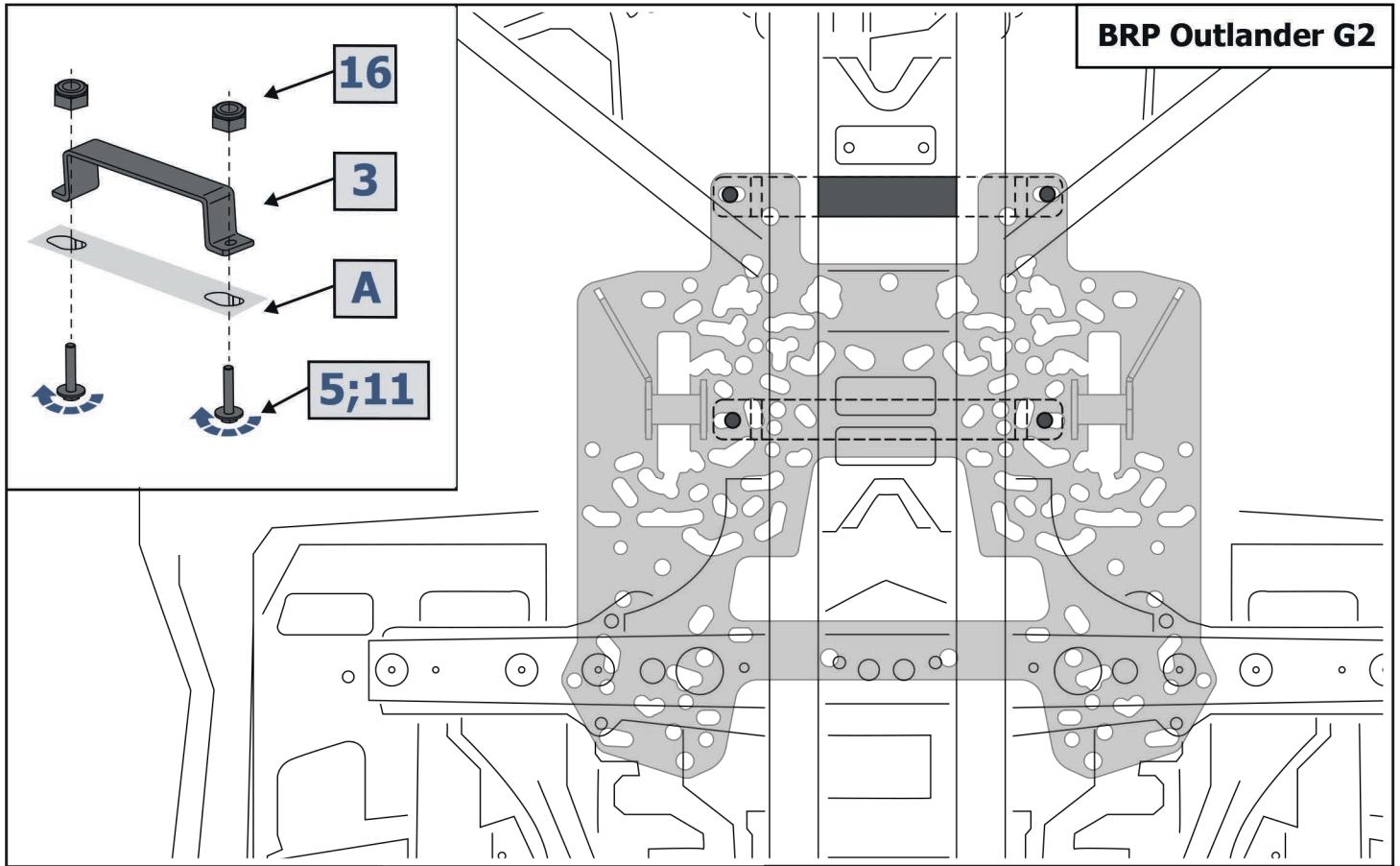


AODES Pathcross ATV 525L

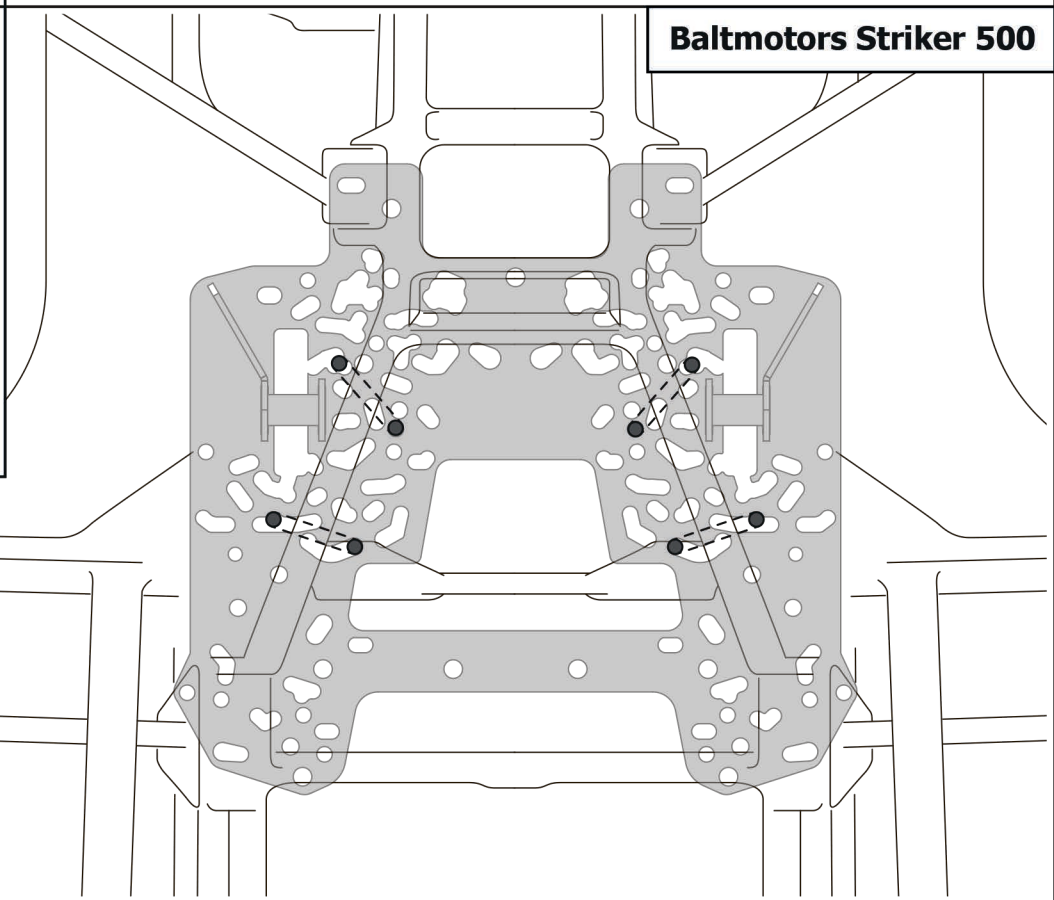
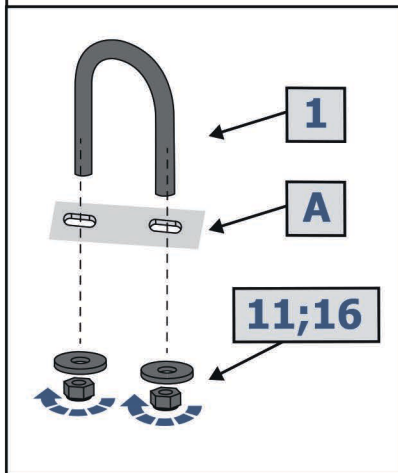
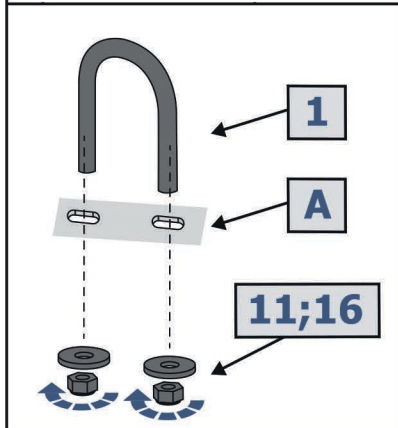
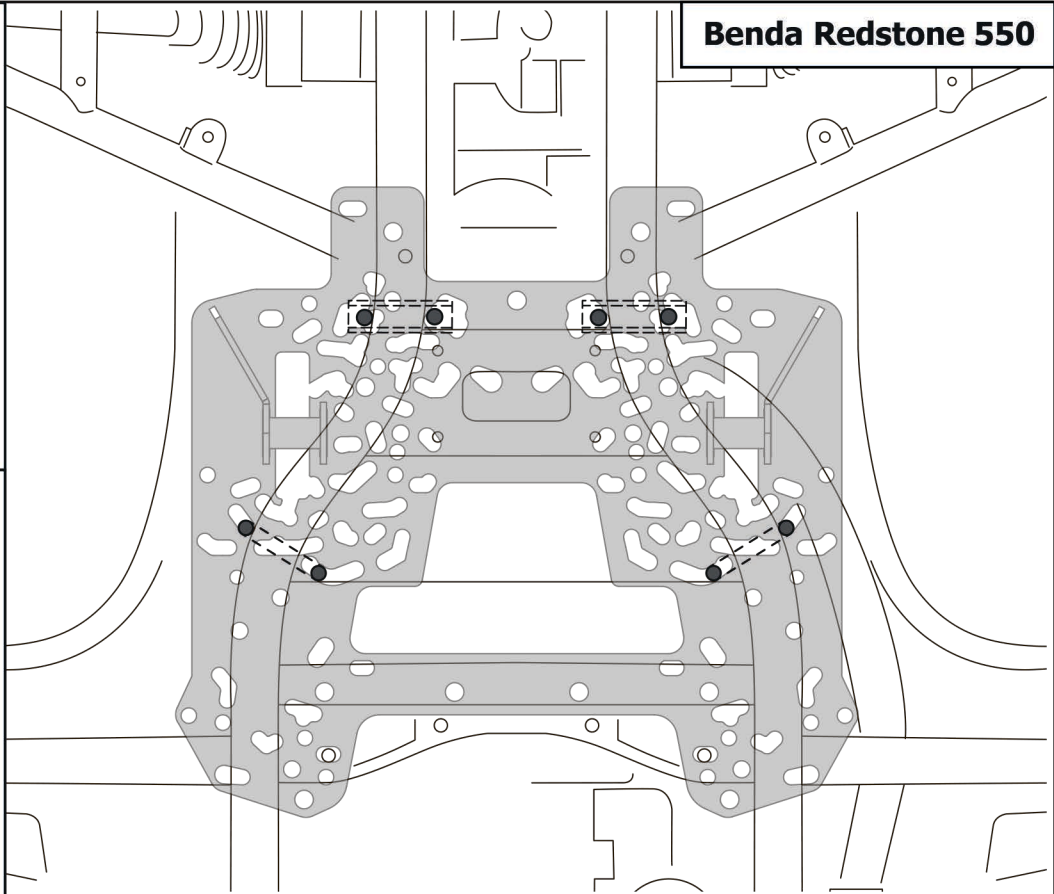
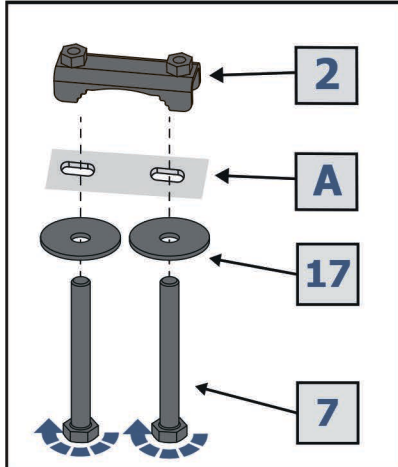


Polaris Sportsman 570



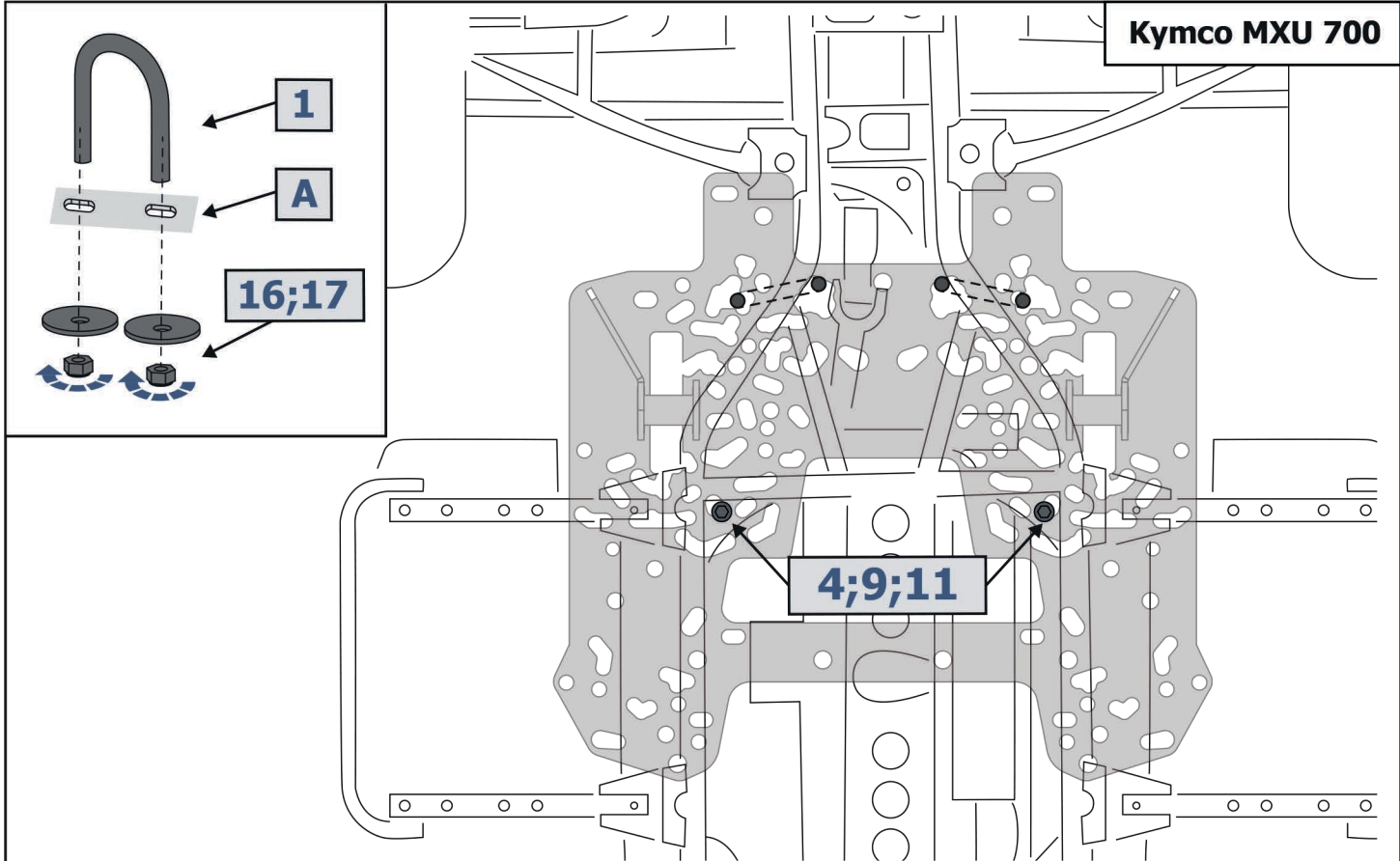


Benda Redstone 550

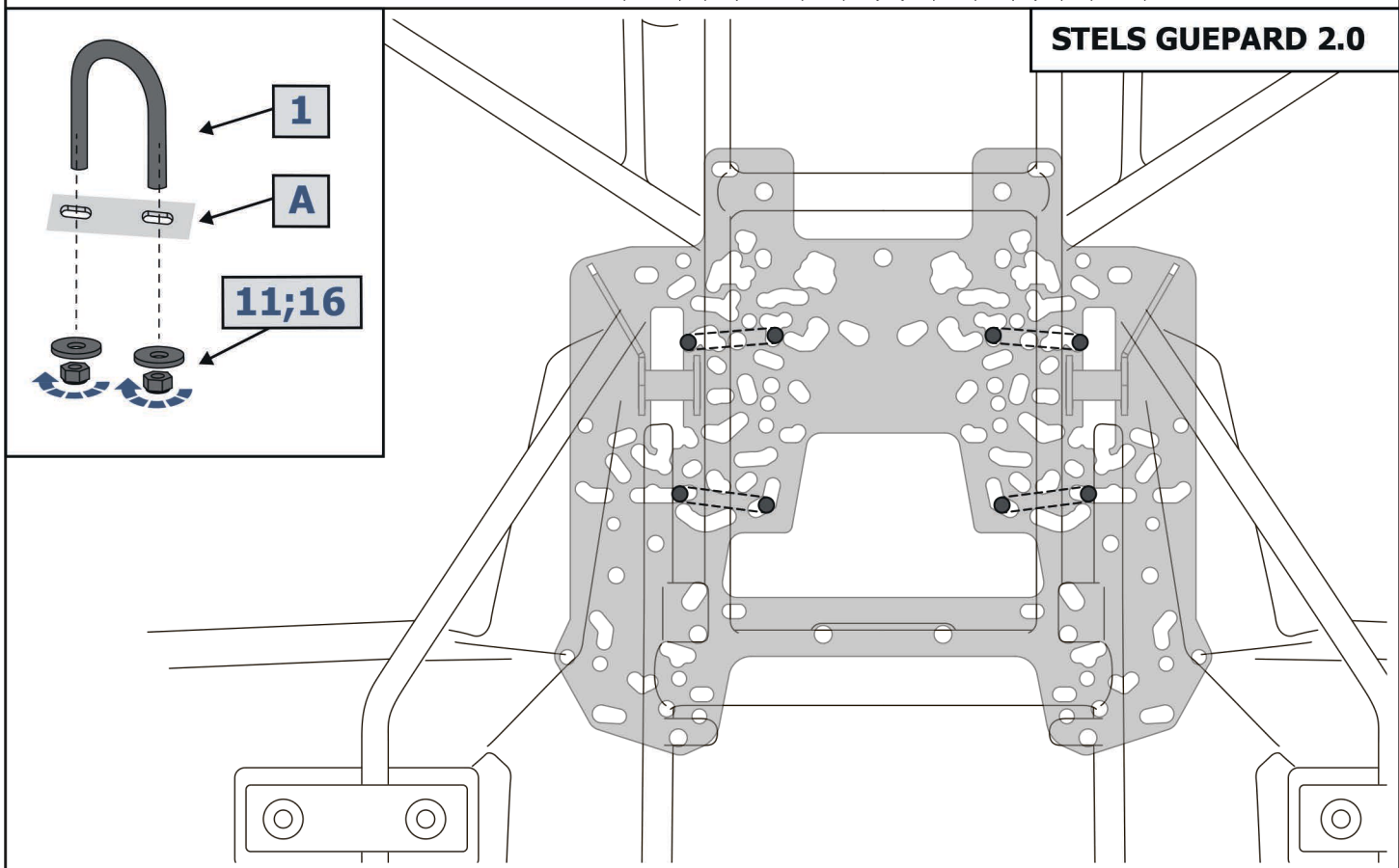


Baltmotors Striker 500

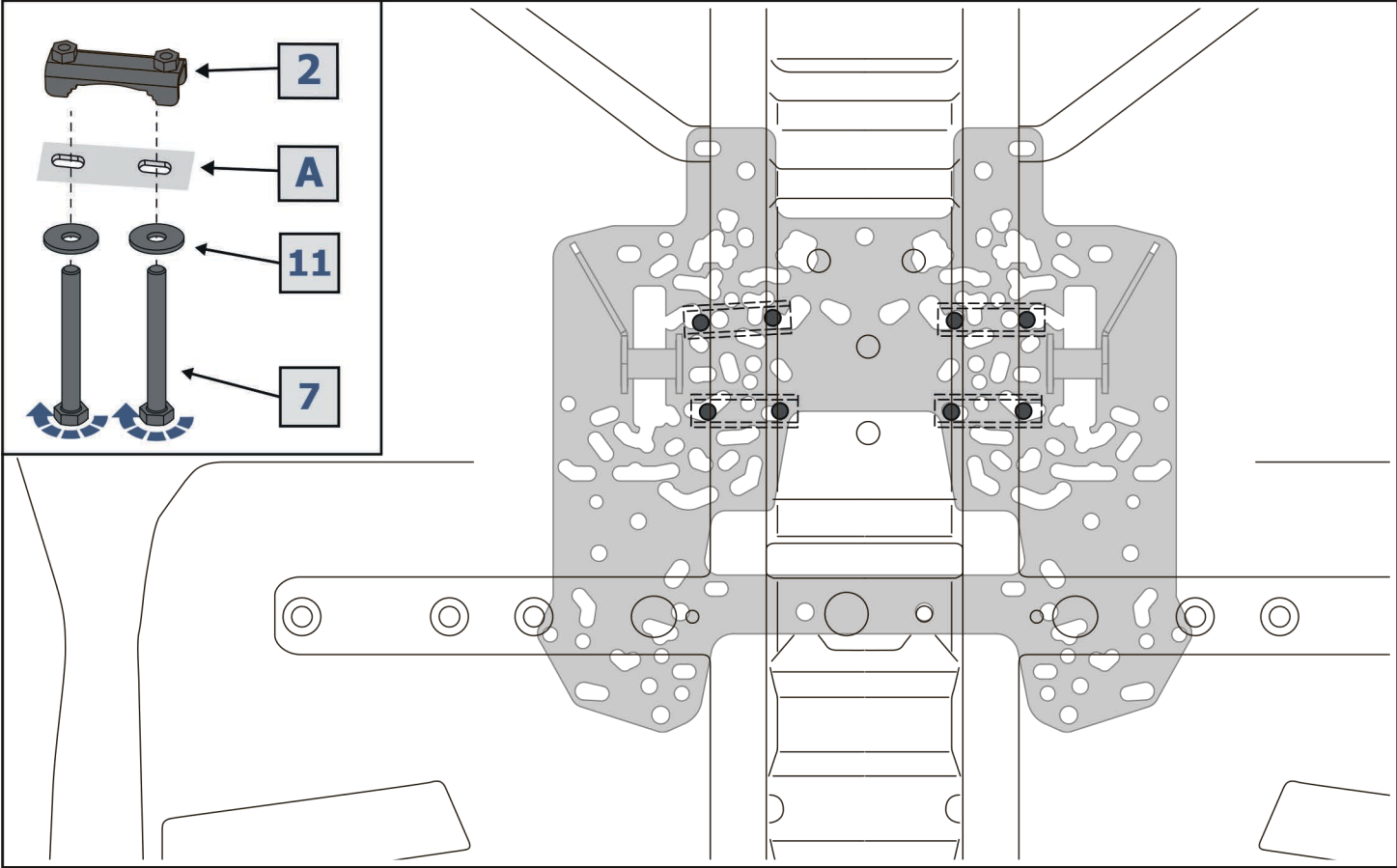
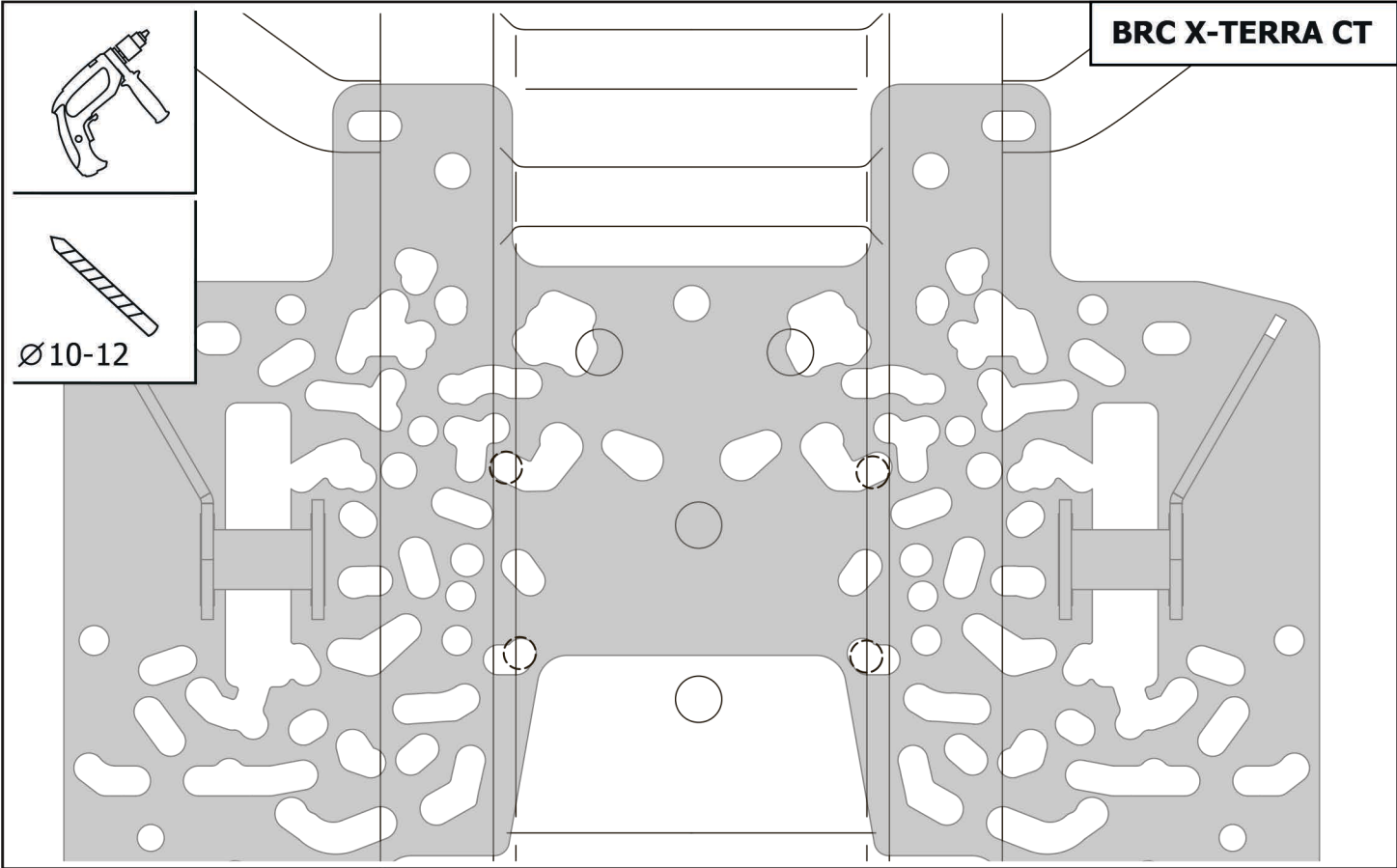
Kymco MXU 700



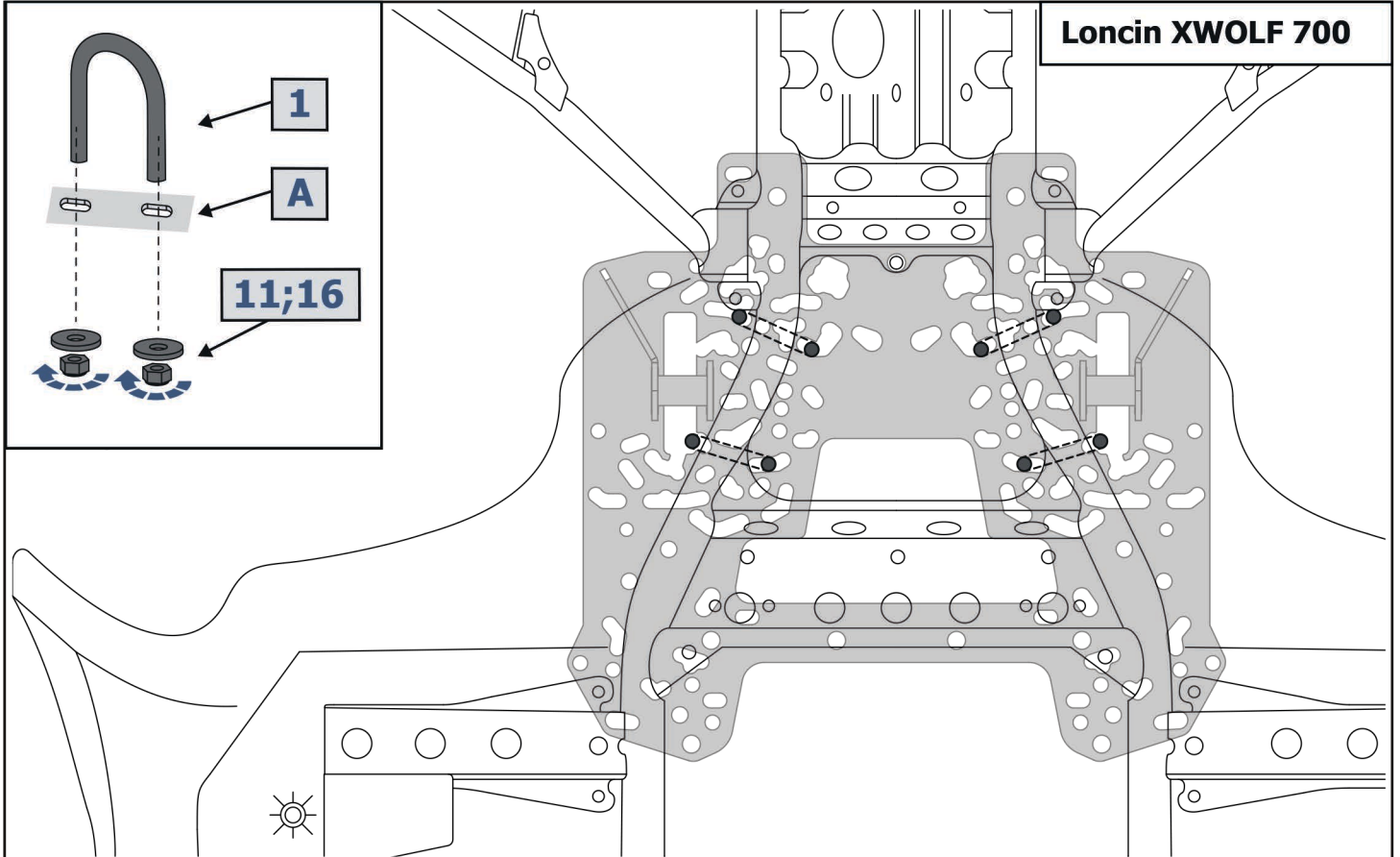
STELS GUEPARD 2.0



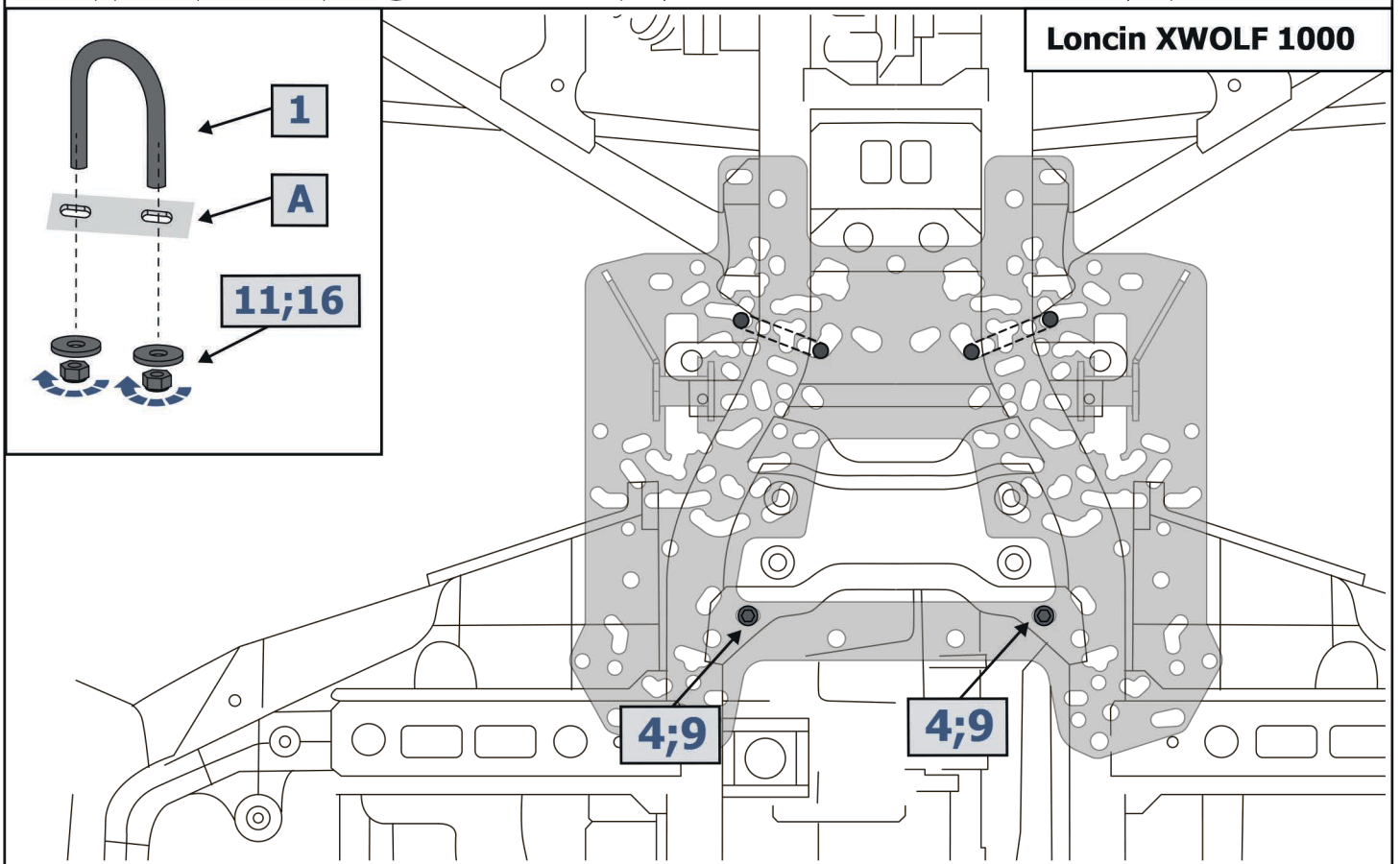
BRC X-TERRA CT



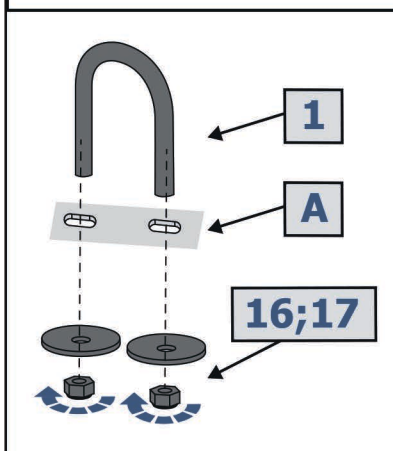
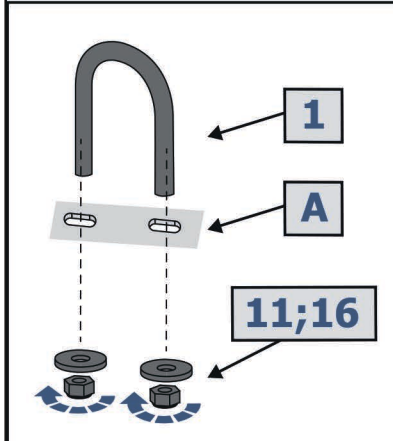
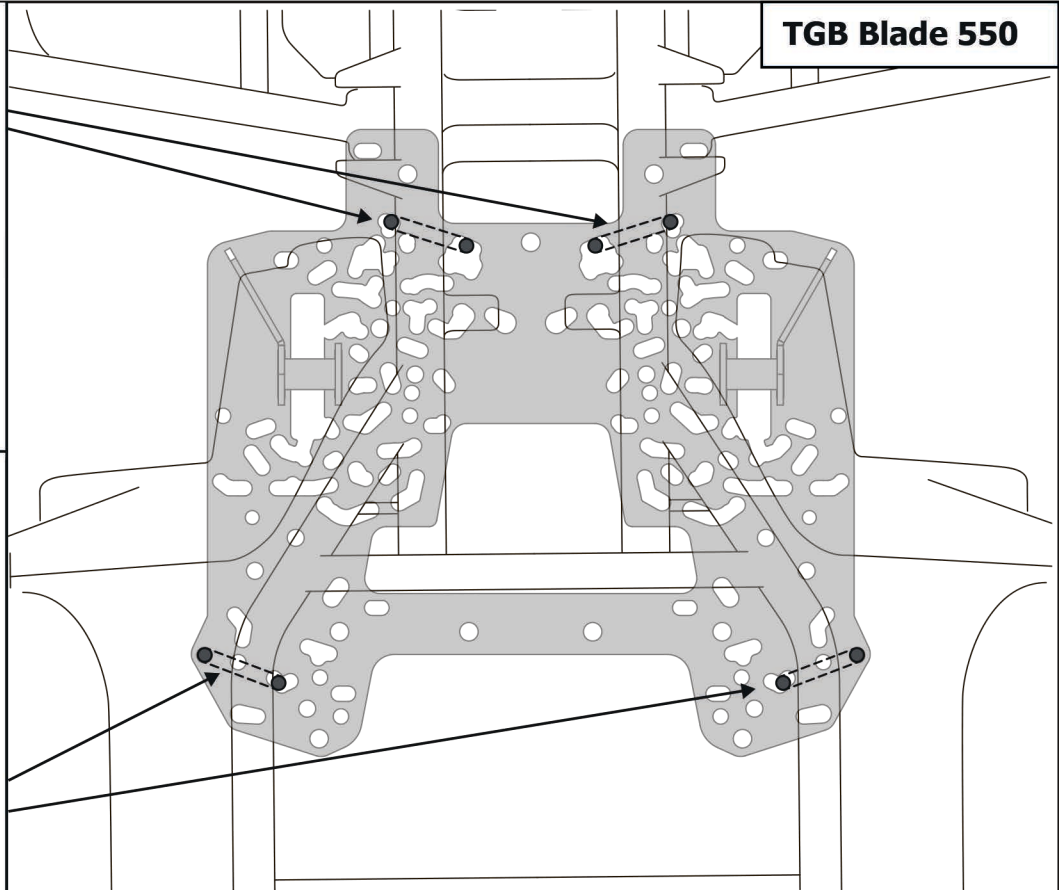
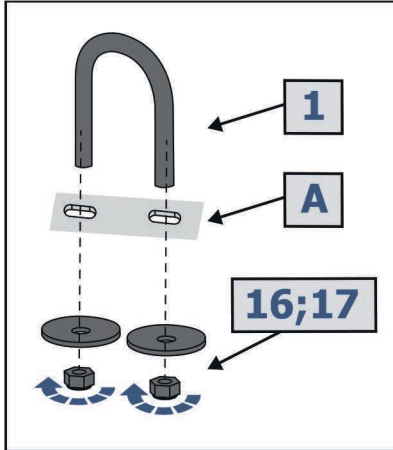
Loncin XWOLF 700



Loncin XWOLF 1000



TGB Blade 550



TGB Blade 1000

